

HEAT MEMORY SYSTEM / HMS



We *keep*
our energy
warm for a
long time!

HEAT MEMORY
SYSTEM PLATES



AUSTROFLAMM

www.austroflamm.com



Stay *warm* longer naturally !

1. Heat Memory System

PATENTED & OUTSTANDING! Storing heat, simply and efficiently: this is what the patented Heat Memory System from Austroflamm provides!

The very heavy (relative density 2.7 kg/l) hydraulically bonded storage mass with high heat storage capacity can directly absorb heat on the outside of the firebox and then radiate in turn over a long period.



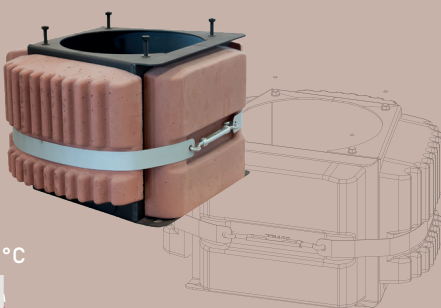
IMPORTANT - THE CORRECT ATTACHMENT OF THE STORAGE MASS.

The storage mass must be attached as closely as possible to the source of heat, therefore to the firebox of the stove. If the storage material is only used as the external cladding of a stove (for example as a cover plate), then simply not enough energy reaches the material.

With Austroflamm the storage mass is therefore also packed straight into the stoves. Of course this type of attachment is also patented.

2. STORAGE BOX

The storage box consists of steel and is encased with storage mass (Heat Memory System, patented) and additionally increases the storage capacity. It is mounted between the main body and exhaust manifold.



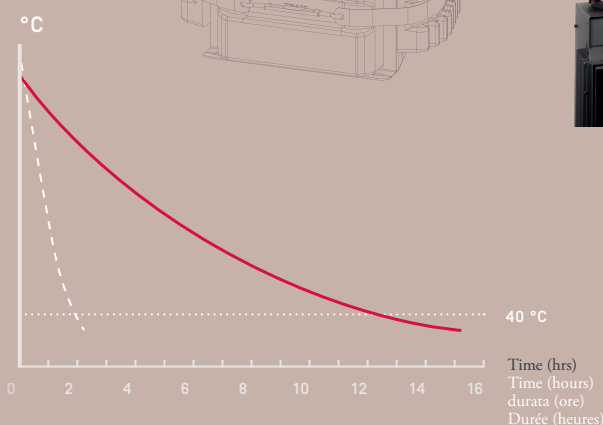
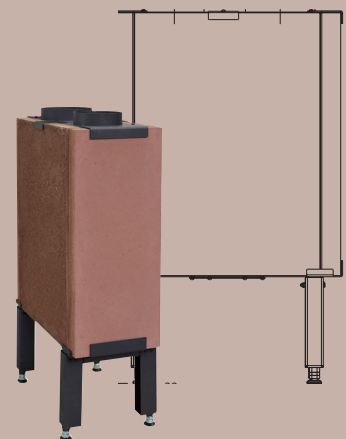
3. TOP STORAGE RING

A simple option to increase the efficiency of the Austroflamm fireplace insert. It is mounted between the main body and exhaust manifold.



4. COASTING BOX WITH HMS

Maximum energy utilisation via the Austroflamm coasting box with HMS!



--- Fireplace insert without Heat Memory System
— Fireplace insert with Heat Memory System