

STOVES 2023/24

„TIMES MAY
CHANGE,
BUT
my fire
STILL
BURNS.“



AUSTROFLAMM

www.austroflamm.com



Always plunging into new worlds of fire!

- 04 Success story
- 06 The designer
- 08 Air+ control
- 10 HMS & XTRA Heat
- 14 Consistent

The Stoves

- 20 BONO XTRA
- 22 CLOU XTRA
- 24 CLOU COMPACT
- 26 CLOU COMPACT COOK - NEW
- 28 CLOU XTRA BACK - NEW
- 30 CODY
- 32 DEXTER 2.0 / DEXTER S3
- 36 FLOK 2.0
- 38 FYNN XTRA
- 40 G1
- 42 HEIDI BACK 2.0
- 44 IVY
- 46 JINI XTRA
- 48 KOKO 2.0 / KOKO XTRA 2.0
- 50 KYLIE XTRA
- 52 LOUNGE XTRA
- 54 LUCY COOK
- 56 LUX
- 58 PALLAS / PALLAS BACK
- 60 SINA - NEW
- 62 SINA XTRA - NEW
- 64 SLIM 2.0
- 66 STILA 2.0
- 68 TOWER XTRA 2.0
- 70 UNO XTRA
- 72 WIEN

- 74 Colours / surfaces
- 76 Flue pipes / floor plates
- 78 Overview / models
- 80 Technical Data



4



Teresa Huemer



Ferdinand Huemer



Sebastian Köck



Doris Pfeiffer

40 YEARS

www.austroflamm.com

FERDINAND HUEMER,
A VERSATILE PIONEER.

Fire is the
source of
all things.



THE SUCCESS STORY BEGAN BACK IN 1983 when Ferdinand Huemer, the company founder, hit on the idea of combining efficient wood-burning stoves with innovative design. Then in 1995, the easy-to-use pellet stove was born. Fuelled by creativity, a zest for action, courage and determination, he transformed his company into a permanent fixture on the wood burner market in record time!

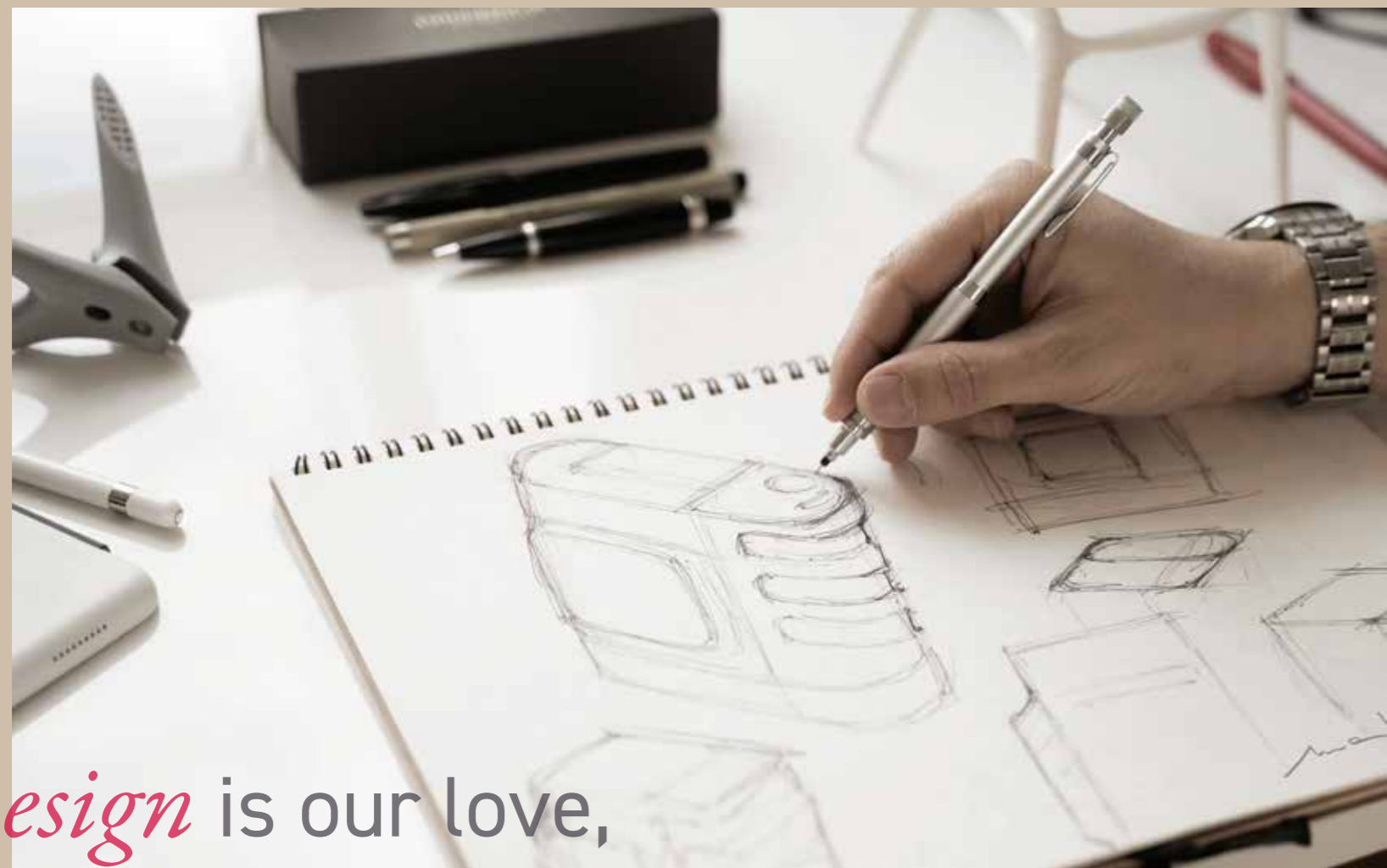
AUSTROFLAMM IS A PIONEER in the use of ceramics and in the development and production of new types

of storage materials like keramott, HMS (Heat Memory System) and XTRA storage heat. Our patented technologies have been instrumental in significantly reducing the emissions generated by solid fuels.

ALWAYS ONE STEP AHEAD OF THE ZEITGEIST, we have developed multifunctional cooking and baking appliances. Innovative tools such as the Air+ control system are the perfect complement when it comes to using our resources sustainably!

Thinking and acting sustainably, team spirit and a culture of partnership have been the hallmarks of our company for 40 years.





Design is our love,
Function our life!



CESARE MONTI, Italian architect and designer. After studying architecture at the Polytechnic University of Turin, he received numerous prizes and awards, including the International Catas Award of 2006 and 1st prize at the Torre Littoria Competition in Turin in 2011. Via Salzburg, he found his way to Linz, where he designs stoves in his studio exclusively for Austroflam.

Our only teacher must *Cesare Monti* ever be Nature.

When I conceive my projects I always try to create a game of opposites.

Life and emotions, as well as architecture, are born from a contrast between opposites. Dynamism originates both from static and moving components, as well as the contrast between one side in light and the other side in shade, shade producing the forms and our perceptions of objects. Masculine and Feminine, Full and Empty, Warm and Cold, Lightness and Weight. Nature and Artifice.



For us, *innovation*
is more than just
hot air.

NEW
Air+

Air+

control - your heating butler

WITH FIREBOX TEMPERATURE SENSOR
AND AUTOMATIC CONTROL!

Your Air+ controller automatically regulates the air supply.

- **CONVENIENT:** Fully automatic damper control for optimum combustion values.
- **ECONOMICAL:** Closes the air supply at the end of combustion and keeps the heat in the stove, preventing heat losses through the chimney.
- **SAFE:** Manually adjustable without tools in the event of power failure.



Heidi BACK, Kylie XTRA, Sina & Sina XTRA → optional with Air+



+ FREE Air+ APP (coming soon)

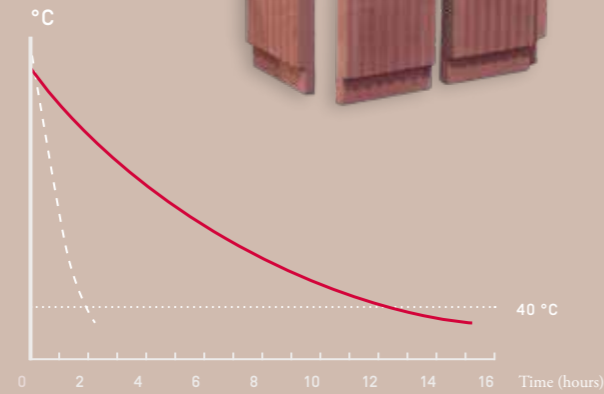
- various statistical data can be called up
- the current status of the stove is displayed
- information on the optimum refilling time



HEAT MEMORY SYSTEM

PATENTED & OUTSTANDING: Store heat easily and efficiently with the patented Heat Memory System from Austroflamm! The heavy hydraulically bonded storage mass (volume weight 2.7 kg/l) boasting a high heat retention capacity can absorb heat directly on the exterior of the firebox and then radiate it again for a prolonged period of time.

IMPORTANT: The storage mass must be placed as close as possible to the source of heat, i.e. the firebox of the stove.



--- Fireplace insert without Heat Memory System
— Fireplace insert with Heat Memory System



This is why at Austroflamm we pack the storage mass directly into the stoves.
Needless to say, the installation method is also patented.

We *keep*
energy *warm*
for a long time!



The brilliant idea for lots of **XTRA** warmth.

XTRA HEAT ACCUMULATOR UP TO 12 HOURS **XTRA** WARMTH

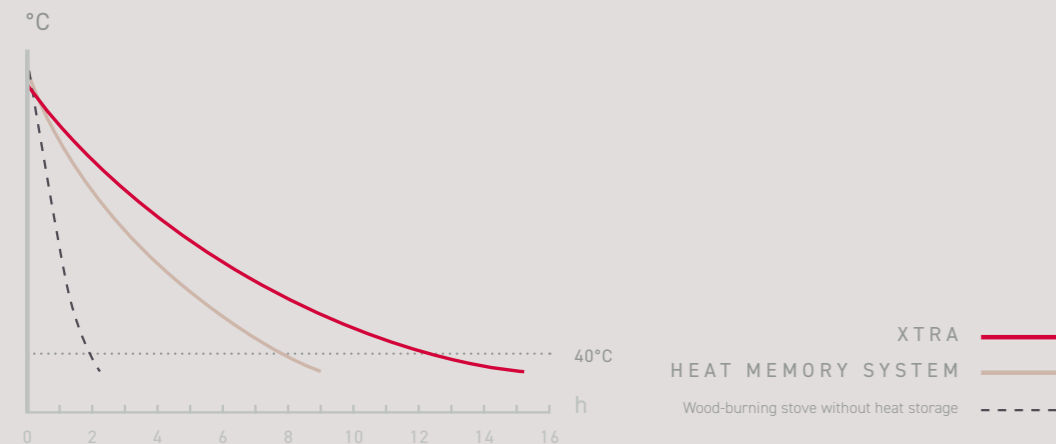
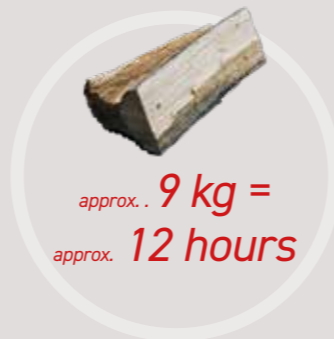
A further development of the proven Heat Memory System: We combine the Heat Memory System with a special heat exchanger, pack more than 100 kg of it into the wood burner and furnish it with convection air that can be adjusted and even shut off. The heat is then retained for up to 12 hours!

XTRA EFFICIENT AND SUSTAINABLE WARMTH
 Wood-burning stoves fitted with our Xtra storage technology not only warm the room for much longer than conventional models, they also heat up extremely quickly. This is both smart and efficient at the same time because a pleasant room climate is always guaranteed.

THE FIGURES SPEAK FOR THEMSELVES:
 With less than **nine kilos of wood**, you can keep your living spaces pleasantly warm for **up to twelve hours** with little impact on the environment.

Another advantage is that the convection air can be **adjusted or shut off**, allowing the heat to be emitted particularly evenly. This makes it possible to use the airflow to control or reduce the heating in the room as required.

All Austroflamm **XTRA** STOVES are fitted with more than **100 kg XTRA** storage mass!



XTRA
 STORAGE TECHNOLOGY

XTRA storage technology is available as an option or as standard on our design fireplaces and wood-burning stoves, depending on the model.



We have an *eye*
for *sustainability!*

Clean Combustion for a green future.

Keramott firebox lining

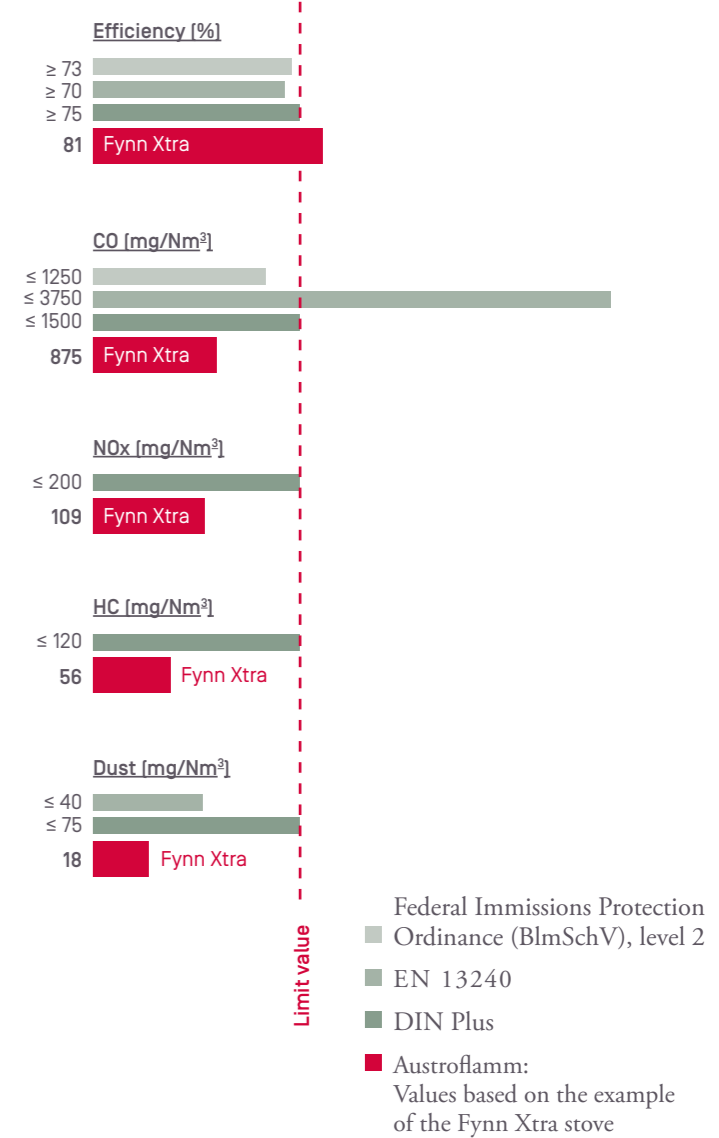
KERAMOTT

STATE-OF-THE-ART WOOD-BURNING STOVES require not only creative design ideas but also enormous development efforts in the field of combustion technology. A significant example of this is the firebox lining: In all Austroflamm stoves these important elements are manufactured from Keramott. Keramott has been specially developed and is available exclusively from Austroflamm. The material is characterised by a special ratio between thermal insulation and thermal conduction, which enables high temperatures in the firebox to be reached more quickly. Only this ensures that combustion is "clean" and low in harmful emissions. The material is highly heat-resistant up to approximately 1,200 °C. This also allows the firebox to „clean burn“, whereby the lining absorbs less soot than comparable materials and stays nice and clean. This effect is also enhanced by the surface structure of Keramott.

COMBUSTION TECHNOLOGY

We make every effort - more than we are required to. Throughout most of Europe, the limit values of German Industrial Standard EN13240 must be complied with for domestic heaters. Unfortunately, however, these limit values are easily satisfied and only encompass 2 parameters. The DIN Plus specification is much stricter, and is sometimes required at a regional level. Stricter limit values have to be observed for a set of 5 different values. Since several different emission values are interrelated, the requirements are much higher than those of the European standard, which only takes CO emissions into account.

LIMIT VALUES IN ACCORDANCE WITH EN 13240 AND DIN PLUS



WOOD BURNER COOK BOOK



**BEING INDEPENDENT
SIMPLY *tastes*
SO MUCH BETTER**

RECIPES FOR WOOD-BURNING STOVES

AUSTROFLAMM
www.austroflamm.com

NEW



Semolina dumpling SOUP

Ingredients:

- 5 tbsp semolina
- 1 pinch of salt
- 1 egg
- 1 good pinch of baking powder
- approx. 1/2 litre of beef or vegetable stock
- 2 carrots, optional

Method:

- Place all the dumpling ingredients in a bowl and mix. Allow to swell for 10 minutes, then form dumplings using 2 teaspoons. Transfer the dumplings to the simmering soup. Add sliced carrots to taste.
- Cover and set aside. Allow to stand for another 10 minutes.

Helpful: - total cooking time approx. 20 minutes.

Tip: Stir well about...

Cream SOUP

Ingredients:

- 1/4 l water
- 4 tbsp sour cream
- 1 tsp flour
- salt
- caraway seeds

Method:

- Place the water with the caraway seeds and salt in a pan and allow to boil.
- Mix the flour cream and flour, stir in and leave to swell for 10 minutes.
- Heat up - approx. 15 minutes.

Tip: Tastes really good with some bread cubes!

Noodle and vegetable SOUP

Ingredients:

- soup noodles
- 2-3 carrots, 1 thick, peas or mangelwurzel
- approx. 1/2 litres of beef or vegetable stock

Method:

- Cook the soup noodles - 4 handful per person - in salted water according to the instructions on the packet. Finely slice the carrots and peas.
- Bring the soup with the vegetables to the boil and simmer for approx. 5 minutes.
- Pour the soup over the noodles and serve with cheese.

Helpful: - total cooking time approx. 20 minutes.

Tip: This also tastes delicious with lentils!

Grilled ROAST PORK

Ingredients:

- approx. 1.5 kg loin of pork/neck of pork with bone and rind (cut into a rectangular pattern)
- 2 onions, 3 carrots, 2 cloves of garlic
- 2 tins, caraway seeds, salt, pepper, butter/margarine
- 500 ml vegetable or meat stock
- 500 ml beer (a person may wish to substitute for beer)

Method:

- Rub the meat well with the garlic, caraway seeds and salt and place with some butter/margarine in an ovenproof dish with a lid. Add the roughly chopped carrots, onions and garlic. After approx. 1 hour, pour in the stock. Stake up the fire approx. 1 1/4 hour before the end of the cooking time and - for some lovely crackling - roast uncovered at 200°C.
- Roast in the baking compartment for approx. 1.5 hours at 100°C - 120 minutes at 200°C.

Tip: Potatoes & dumplings can also be added to the dish half an hour beforehand. Bread dumplings and other side-dishes should be added to the water with some caraway seeds for well with this, too.

Beef RAGOUT

Ingredients:

- 12 kg beef goulash meat
- 1 packet of goulash sauce mix
- 1 l water

Method:

- Heat all the ingredients in a Casserole, then cover and simmer (stove for approx. 2.5 hours (add water if necessary)).
- Once the sauce is ready, add approx. 2-2.5 hours in the baking compartment for on the stove.

Tip: Finally, potatoes, whole bread and salad are the perfect accompaniment to this dish.

BISCUITS

Ingredients:

- 100 g sugar
- 200 g cold butter
- 300 g flour
- 1 egg

Method:

- Knead the ingredients until they form a smooth dough, then chill for one hour. Roll out on a floured surface and cut out your favourite shapes.
- Bake in the baking compartment for approx. 8 - 10 minutes at approx. 180°C.

Tip: Decorate with icing sugar, chocolate granules, nuts...
The delicious sandwich 2 biscuits together with some jam forms the jam with a dash of cream in the baking compartment.

Honey LEBKUCHEN

Ingredients:

- 250 g rye flour
- 50 g sugar
- 1 tsp. Lebkuchen (gingerbread) spice
- 1/2 tsp. bicarbonate of soda
- 25 g butter
- 120 g honey
- 1 egg
- 1 tsp. water
- egg for brushing (beaten)

Method:

- Knead the flour, sugar, baking soda, spices and butter. Warm the honey slightly, mix with the egg and slowly work into the dough. Knead by hand or with a stand mixer and chill for at least 3 hours. Roll out, but not too thin, and cut out various shapes using biscuit cutters. Place on a baking tray lined with greaseproof paper and brush with the beaten egg.
- Bake in the baking compartment for approx. 10 - 12 minutes at approx. 180°C.

Tip: If the gingerbread has hardened - simply place half an apple in the house can.

Kaiser-SCHMARRN

Ingredients:

- 4 eggs
- 4 tbsp. flour (plain)
- 1 tbsp. granulated sugar
- 60 ml milk
- vanilla sugar
- saltines (optional)
- butter (for baking)
- granulated sugar, and flaked almonds if desired

Method:

- Beat the egg whites with a tablespoon of granulated sugar until stiff. Carefully stir in the remaining ingredients (add saltines if desired). Grease the pan, pour in the batter and cook in the baking compartment until golden brown. Tear into pieces using a spatula, turn over and sprinkle with a little granulated sugar (and flaked almonds if desired). Finally, garnish with sugar or vanilla ice cream.
- Cook in the baking compartment for approx. 20 minutes at approx. 200°C.

Tip: Serve with icing sugar and complete (apple, plum, orange) or a cup of vanilla ice cream.



TO CELEBRATE OUR 40TH ANNIVERSARY, WE HAVE FORKED UP A TASTY SURPRISE FOR YOU!
Heating while cooking something delicious using the heat from the stove is not only sustainable, it's also economical!
Tip: The new stove cookbook is also available for download on our homepage!



S U S T A I N A B L E
WOOD-BURNING STOVES
B Y N A T U R E !

Renewable fuels like wood and pellets guarantee our independence!

State-of-the-art storage technologies coupled with extremely low-emission combustion ensure that you are right on track when it comes to environmental protection.

The supplementary cooking and baking functions provided on some models are a fantastic bonus!

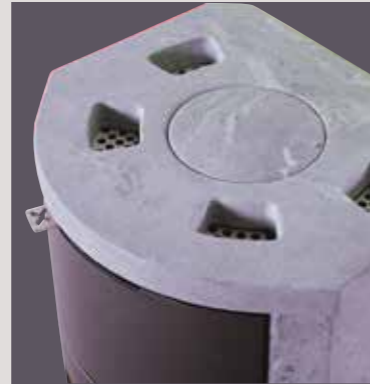
Discover even more „natural wonders“ at www.austroflamm.com



BONO XTRA
PURE PLEASURE

FOR PURISTS

Actually, Bono should be called "BUONO" (Italian for good), although "good" would be a slight understatement. "Perfect" is certainly the most fitting description for this all-rounder: ideal heat output for small rooms or even low-energy houses, a panoramic view of the dancing flames and a simple, TIMELESS DESIGN makes Bono Xtra a perfect storage heater for any room and for many years to come.



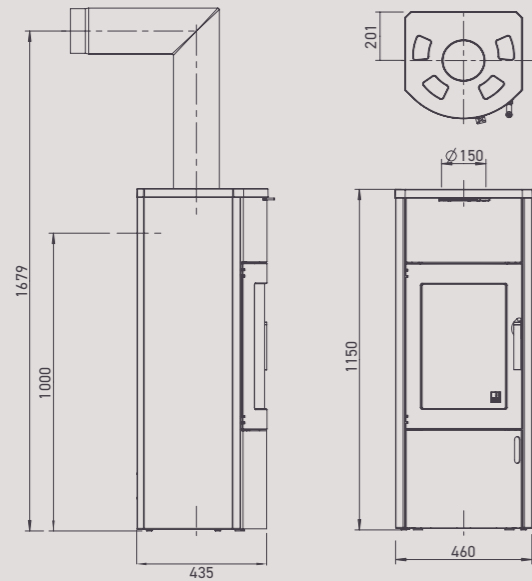
The soapstone cover (rear connection) of Bono Xtra with lockable convection air vents.



Neatly concealed: behind a panel are the ash pan, the riddling grate actuator and the controls for primary and secondary air.

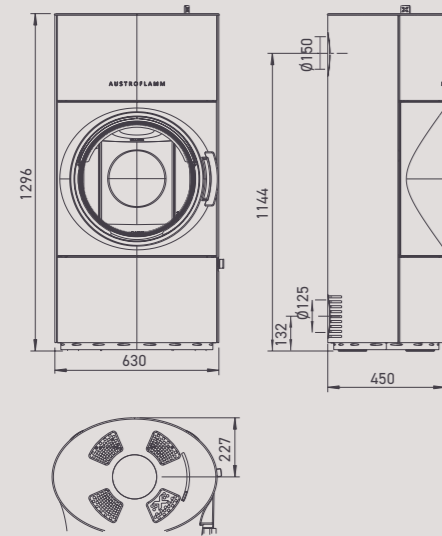


Complete range of fittings: Bono Xtra with soapstone side panels (60 mm thick), soapstone cover and plenty of heat storage.



BONO
XTRA

CLOU XTRA
A ROUND AFFAIR



The wood box echoes the design of the round cast-iron door.

FOR LOVERS
OF FORM

A GENUINE HIGHLIGHT for everyone who is looking for something completely different: round doors, oval body and a large door handle made of elegant wood to create an extraordinary blend that is certainly not to be found in every living room. Equally special, though not unusual for Austroflamm models, is the fantastic Xtra heat storage system for up to 12 hours of heat retention.

Another striking feature of Clou Xtra: its shallow depth.



Elegant grain of the wooden handle

CLOU XTRA



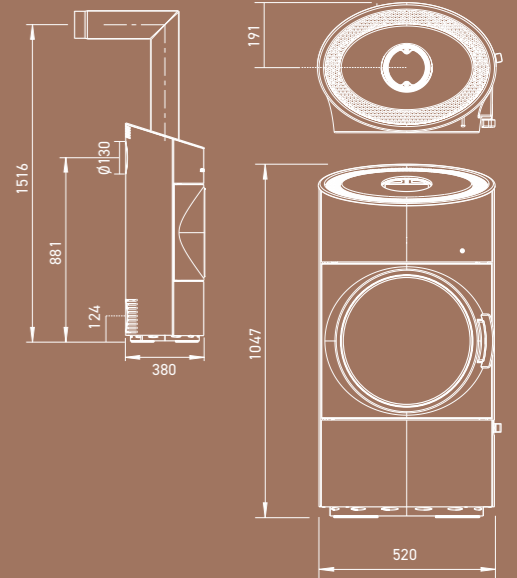


CLOU COMPACT

CLOU COMPACT
THE NEW COMPACT CLASS



The wood box echoes the design of the round cast-iron door - a perfect duo.



CLOU COMPACT

THE CLOU FAMILY has welcomed a new addition and is now enriched by Clou Compact. With smaller dimensions and a slightly lower heat output, but by no means less exceptional, Clou Compact does not fall short of its big brother in any way.



CLOU

COMPACT COOK

NEW
CLOU COMPACT
COOK

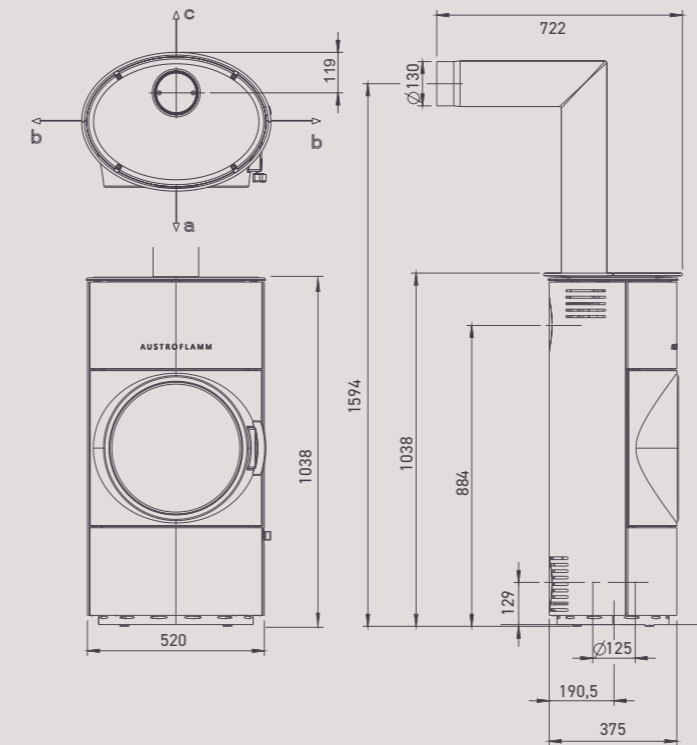
OUR CLOU FAMILY IS
GROWING TASTEFULLY

CLOU COMPACT COOK

It's a well-rounded piece of work: noble, independent and economical! Perfectly executed with prominent cast-iron door and fitted with a solid cast-iron hotplate, it's a real gem. You can also use its crackling fire at the same time for your favourite dishes - that's the CLOU!



Elegant design



Solid cast-iron plate, optionally with guard rail



Flue outlet upwards or backwards



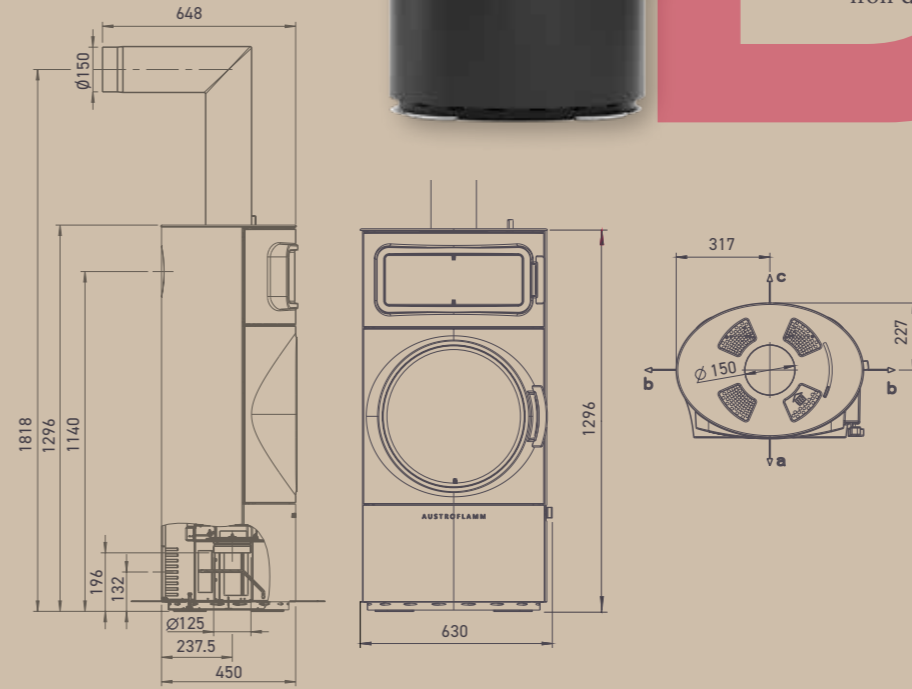
NEU
CLOU XTRA
BACK

TASTEFUL
ALL ROUND



CLOU XTRA BACK

You should keep that warm!
Our CLOU XTRA BACK not only has the XTRA storage technology for XTRA-economical heating - now it can also take care of your daily bread. A beautiful baking compartment with cast-iron door makes it the recipe for success!



- Solid cast-iron baking compartment door & Keramott lining
- XTRA heat storage - particularly economic

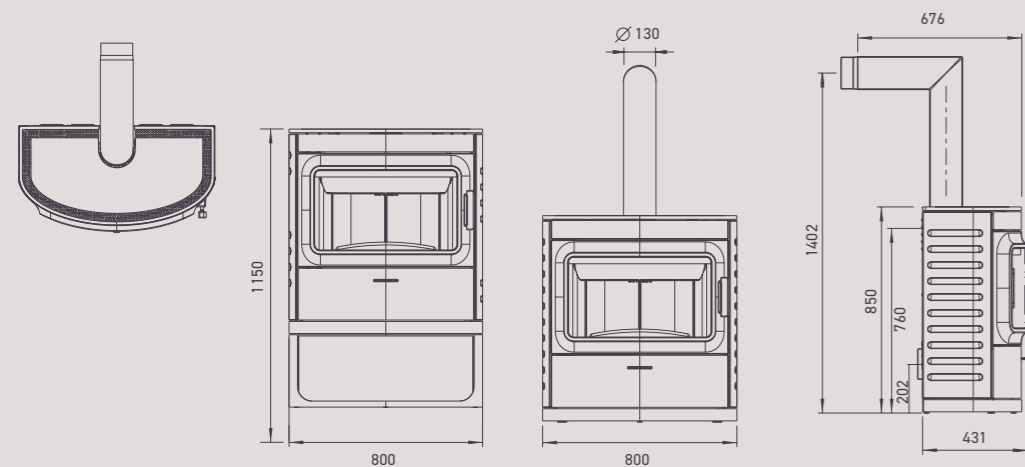


CODY
OUR CENTREPIECE



FOR FIRE WORSHIPPERS

Doesn't every home deserve a centrepiece? Cody, our new member of the family with its impressive firebox, is happy to occupy this place despite its compact design. The large cast-iron door with its curved glass pane provides a view of the crackling fire. And no matter whether ceramic or steel panelling, whether pedestal with a large wood compartment or pure fireplace stove - this show-piece simply WARMS YOUR HEART.



C O D Y



Pictured right: Dexter 2.0 with pedestal, top box and side boxes.



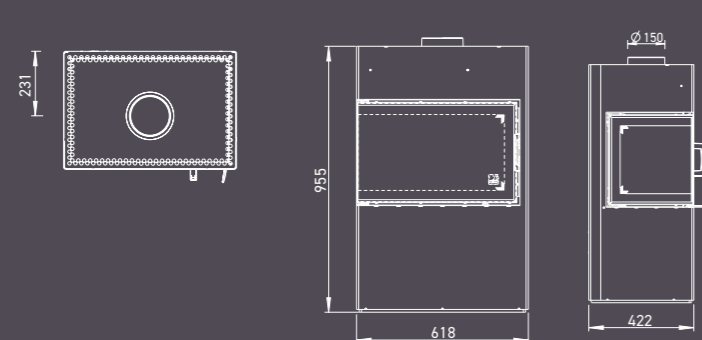
DEXTER 2.0 / DEXTER S3

Do you know “the Thousand and One Nights“ ? Dexter will enchant you with a similar number of possible configurations. You have the choice between a corner door (Dexter 2.0, short side on the left or right) or three-sided glazing (Dexter S3). And the clever side boxes, with their open side also serving as a wood storage compartment, transform Dexter into a genuine furniture system. It’s even possible to pack the top boxes with Heat Memory System.

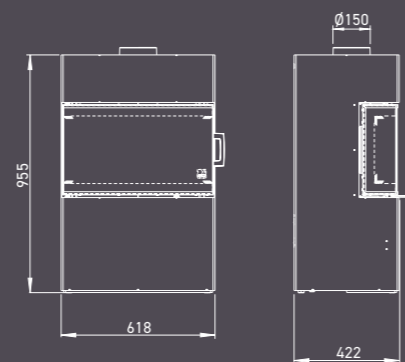


Dexter S3 side view

DEXTER 2.0



DEXTER S3



DEXTER 2.0



INFINITE CONFIGURATIONS



DEXTER S3 CONFIGURATIONS WITHOUT END



DEXTER S3

FLOK 2.0
AMAZINGLY VERSATILE



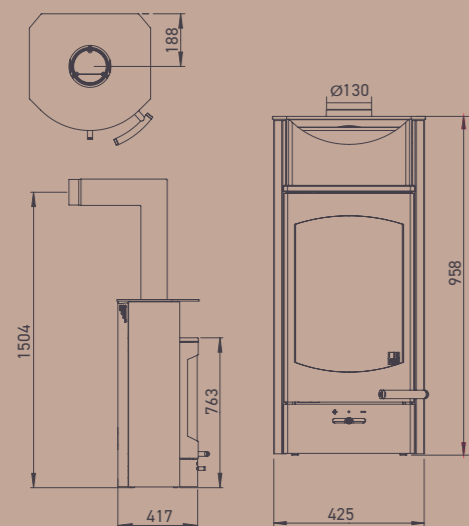
Flok 2.0 with side cladding, lid and warming compartment made of soapstone.



Practical: A warming compartment for tea or other good things.



With an optional turning plate, Flok 2.0 can be rotated 360°, with or without pedestal.



FLOK 2.0, THE MASTER OF TRANSFORMATION.

Flok 2.0 offers a considerable amount of heat in a compact format: a compact stove with flair and a spacious firebox that provides a good view of the dancing flames. The optional pedestal, which is also available with a turning plate on request, makes Flok 2.0 a genuine master of transformation.

Although still small, it surpasses itself. With a ceramic warming compartment and optional soapstone cladding, Flok 2.0 showcases itself as an individual design. Also available with the proven HEAT MEMORY SYSTEM.

FLOK 2.0



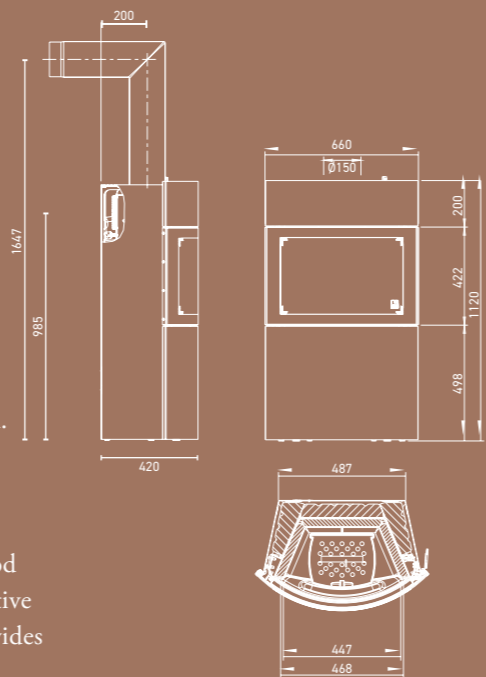
Fig. right: Flok with steel casing and optional base

FYNN XTRA



PERFECTED FORM

Delicate curves, soft shapes, incredible elegance. Yes, we are talking about Fynn Xtra. Combine different front panels above and below the door to suit your taste. You can choose from steel, glass or ceramic! The 30 cm high pedestal with a practical wood storage compartment is available as an attractive accessory, and our patented Xtra System provides up to 12 hours of storage heat!



XTRA
storage technology



Fynn Xtra with enamel-white groove white ceramic cladding



Ceramic cladding:
glossy Moonstone corrugated / glossy Tourmaline corrugated



Ceramic cladding: white corrugated / matt black corrugated

FYNN XTRA





G 1

G1
MY TASTE EXACTLY

G1 CAST IRON IN ITS MOST BEAUTIFUL FORM

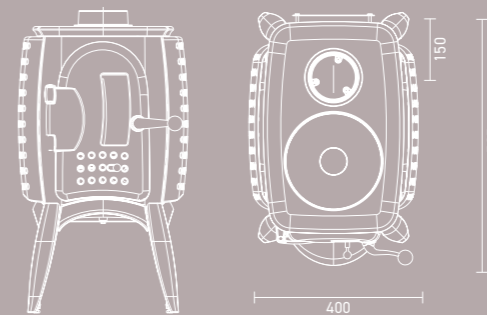
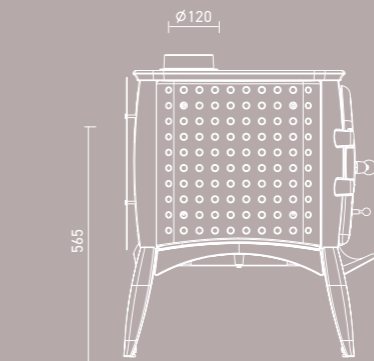
G1 provides a taste of the past in the present. The design evokes past times and awakens many a nostalgic memory. But don't let the retro look fool you. Inside you will find state-of-the-art firing technology. With its practical cooking plate, G1 is guaranteed to be the star at your next tea party.



G1 without convection panel.



G1 with cooking plate and convection panel (accessory).



HEIDI BACK 2.0

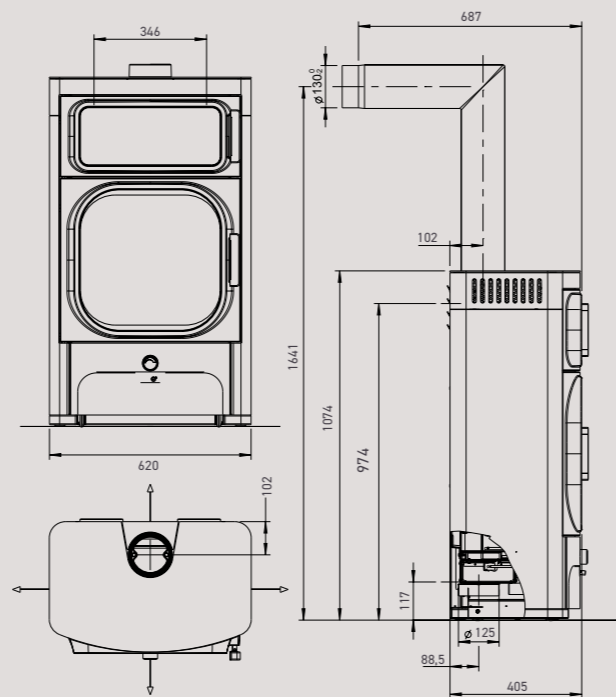
Baking, frying, heating and looking incredibly good at the same time? Only Heidi can do that! A large ceramic hob throughout offers plenty of space to keep everything warm, while the baking compartment can be used to prepare roasts, cakes, pizza or bread, and other delicious foods. Of course, the pleasure factor is not neglected when heating either. A generous cast-iron door allows an unrestricted view of the dancing flames while you enjoy their cosy warmth. The icing on the cake is provided by the new Air+ automatic air control as an accessory, which automatically regulates the air supply and thus ensures perfect heating results!



Fine-grained cast-iron meets elegant wood



Accessory drawer optional



HEIDI
BACK 2.0

IVY

IVY FLAMES WITHIN A FRAME

EVERGREEN FOR INDIVIDUALISTS

The linear design with its square base loses its hardness thanks to the rounded corners, but not its distinctiveness and elegance. With a wide range of options for enhancement, Ivy becomes more than just a fireplace, it becomes a piece of furniture and an eye catcher, combining functionality with form. The glass inserts on three sides provide a direct view of the flames, literally serving as their frame.



A view into the fire from three sides. A lot of space for firewood and even more: Ivy with a plinth box, side boxes and log drawers.

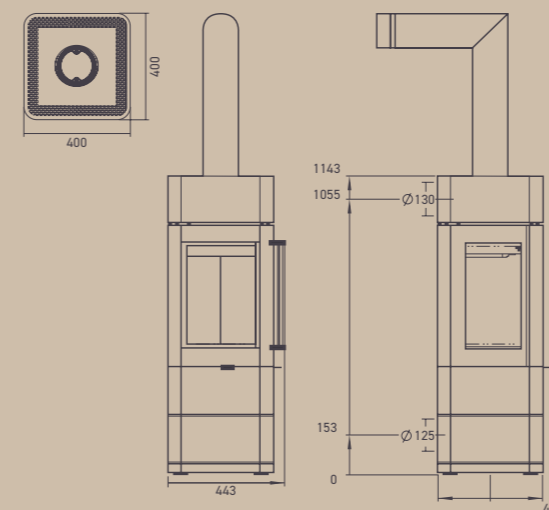


Fig. left: IVY with large and small side box and log drawers

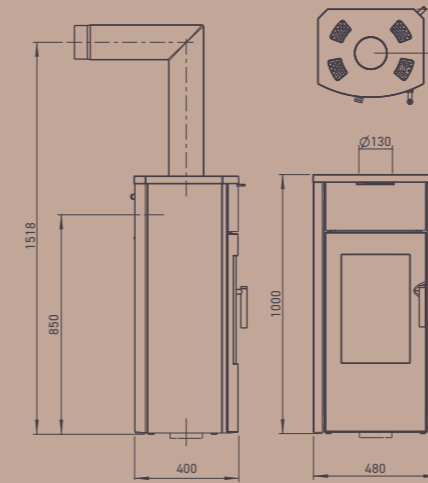


JINI XTRA

JINI
ANYTHING BUT ORDINARY

JINI / JINI XTRA

Inviting, casual, timeless and snug. With clear lines, simple shapes and perfect proportions, Jini XTRA appeals to everyone who likes an uncomplicated and relaxed life. Extremely sophisticated in terms of combustion technology, it is not only a long-lasting design classic, but also a premium-quality heat source guaranteed to make you feel good. Large-format fire naturally included with up to 12 hours of stored heat!



No more bending down:
The air regulator is positioned at
a comfortable height just below
the top plate.

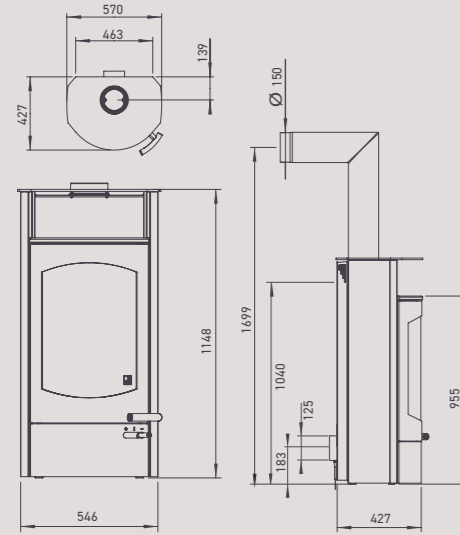


A wooden door handle
that's a pleasure to hold.

Pictured left: Jini XTRA with optional pedestal.

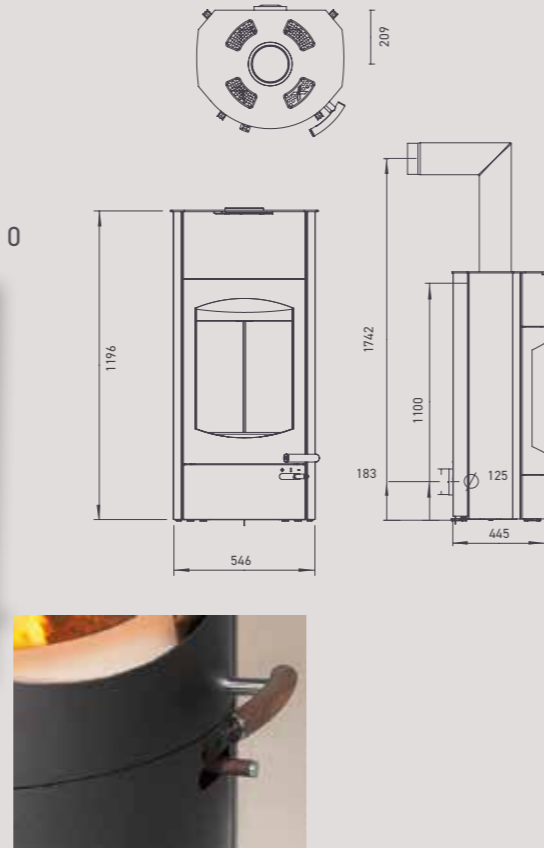
KOKO
A MODERN CLASSIC

KOKO 2.0



Koko 2.0 with soapstone warming compartment

KOKO XTRA 2.0



Handle and air controller as an elegant combination of stainless steel and wood.

A MODERN CLASSIC - the “little black number“ of our collection so to speak: simple, timelessly elegant and guaranteed to be the perfect choice for every occasion and every environment. A matching pedestal is also available on request. The large rounded glass pane offers a maximum view of the flames and the warming compartment helps to prolong those wonderful hours spent in front of the stove with tea or punch. Koko XTRA 2.0 features a wealth of heat storage in place of the warming compartment.

K O K O 2.0 /
K O K O X T R A 2.0

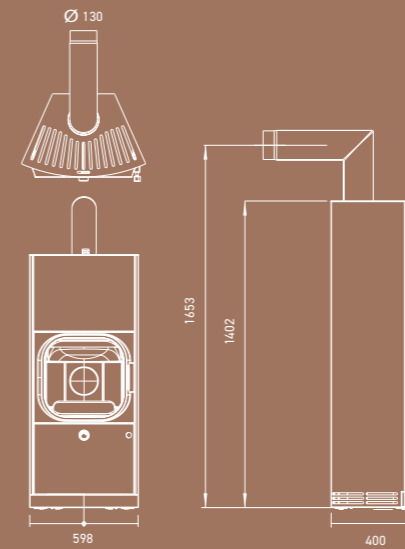


Fig. right
Koko Xtra 2.0 with steel case and optional base



KYLIE

XTRA



KYLIE XTRA

TIMELESSLY BEAUTIFUL, Kylie Xtra is the ideal complement to every room and personal lifestyle. With its basic conical shape, it tapers towards the back and therefore fits particularly well into corners. The material combination plays with contrasts: The classically robust cast-iron door and soft, finely crafted wooden elements elegantly round off the overall picture. And so that the flames always blaze away to perfection without you having to contribute anything, we have developed the Air+ automatic air control (accessory).



The practical wood storage compartment is concealed behind a panel.



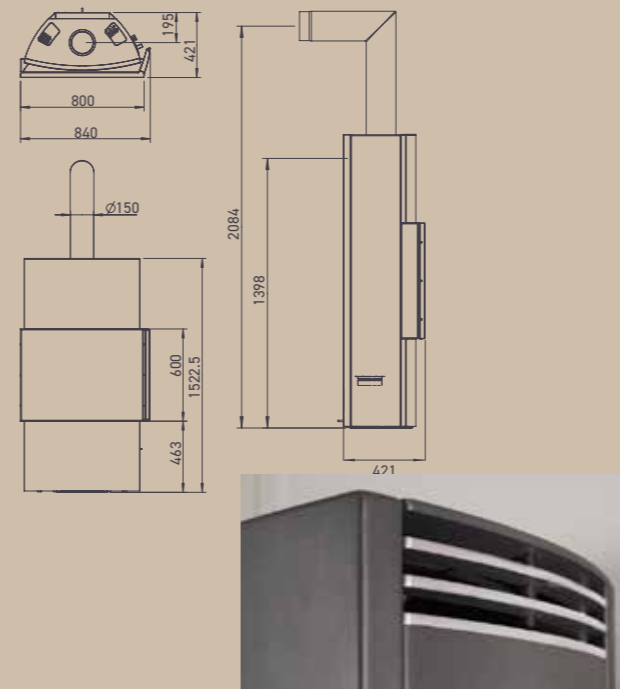
The convection air outlets in the cover can be regulated.

LOUNGE

XTRA



A FIRE IN WIDE-SCREEN FORMAT
THE NEW XTRAVAGANCE



LOUNGE XTRA

The flat screen among our stoves! Gazing at the lounge becomes more relaxing and much more relaxing than watching TV: fire in truly wide-screen format. Despite its size, the shallow depth lends the lounge a slim and extremely elegant silhouette. And the unique Xtra heat storage system is on board right from the start.

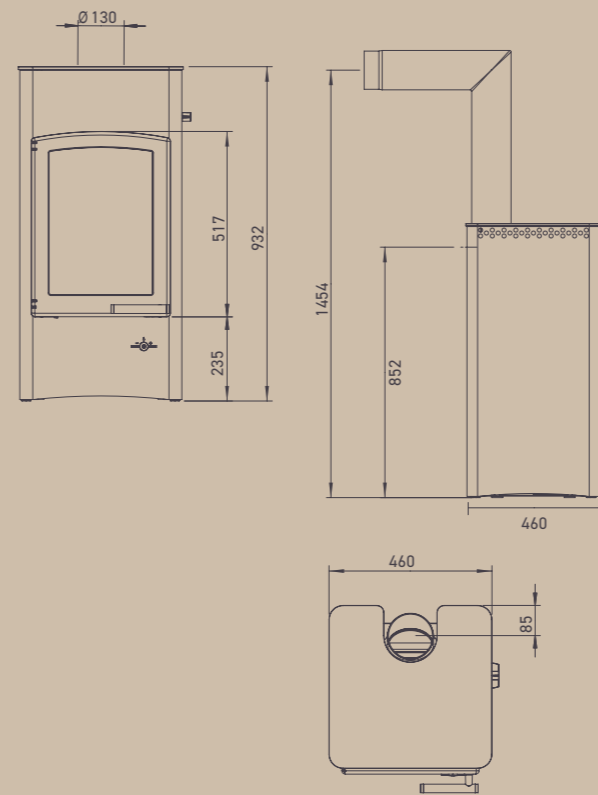


LUCY COOK



LUCY COOK - 2 STOVES IN ONE

The head chef's recommendation: delicious dishes, prepared with Lucy Cook. The large, full-surface cooking plate offers maximum flexibility for large and small saucepans. And even if you only want to use Lucy Cook for warming up and dreaming, then this is also the ideal solution for you. After all, once the saucepans are removed, you would never know she had a passion for cooking.



You can cook with Lucy Cook, but you don't have to. Even as a traditional stove, its charm will captivate you.



The solid cast-iron door emphasises its robust appearance.



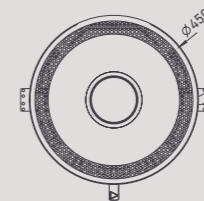
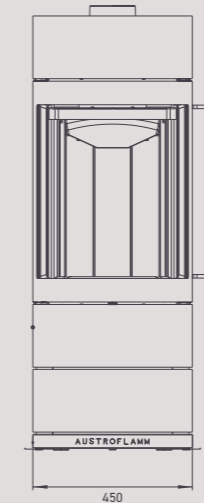
There is space for plenty of saucepans on the cooking plate (46 x 46 cm).

LUX

LUX
A DELUXE ITEM OF FURNITURE IN ITS OWN RIGHT

LUX COMES FROM THE LATIN FOR LUXURY

If you like ROUND SHAPES, then Lux is the perfect choice for you! The circular base and huge curved glass pane show you the play of flames in a wide format. With side boxes that can be attached on the left and right, you can expand Lux to create your own individual furniture system. Practical and beautiful for home accessories, throws, magazines and everything you need for a sense of well-being at home. The wooden handle and pedestal emphasise its warm character and transform the individual attachments into a visual unit.



Small side box left and right and wooden drawer.



Pictured left: already an elegant classic: Lux with top box and large side box and two wooden drawers.

PALLAS
IN THE FOOTSTEPS OF TRADITION



Pallas with soapstone



PALLAS / PALLAS BACK

Fancy a romantic chimney fire, a cup of tea and perhaps something to eat as well? Pallas makes it possible! It's not only a charming heat dispenser with its cast-iron hotplates, but with Pallas Back the most delicious meals can also be prepared thanks to the additional baking compartment. Its classic country house style design make it the perfect accompaniment for the combined kitchen and living room, second home or weekend house.



Log drawer optional



Pallas with steel case and 3 hotplates

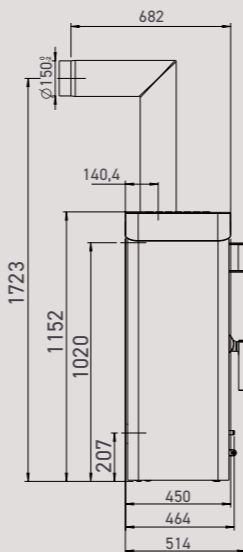
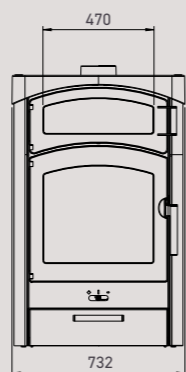
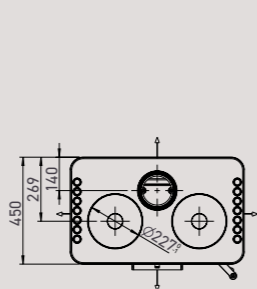


Fig. right: Pallas Back with "earth" ceramic case
With cast-iron hotplates,
baking compartment and
optional log drawer

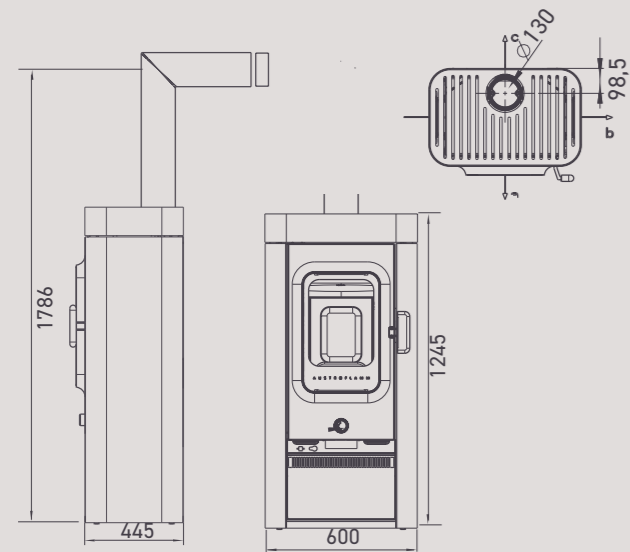


PALLAS
BACK

HEATING AND SAVING
MAKES SENSE

SINA - SENSIBLE SPACE SAVER!

This stove is captivating with its narrow rounded design and conjures up a great atmosphere without taking up room. The integrated wood storage box lends this little miracle a rustic charm and saves a lot (log) of space!



- optional Air+ system
- integrated wood storage box
- cast-iron double-glazed door



S I N A

NEW
SINA XTRA

WE FIND IT XTRA GOOD
TO SAVE SPACE AND ENERGY

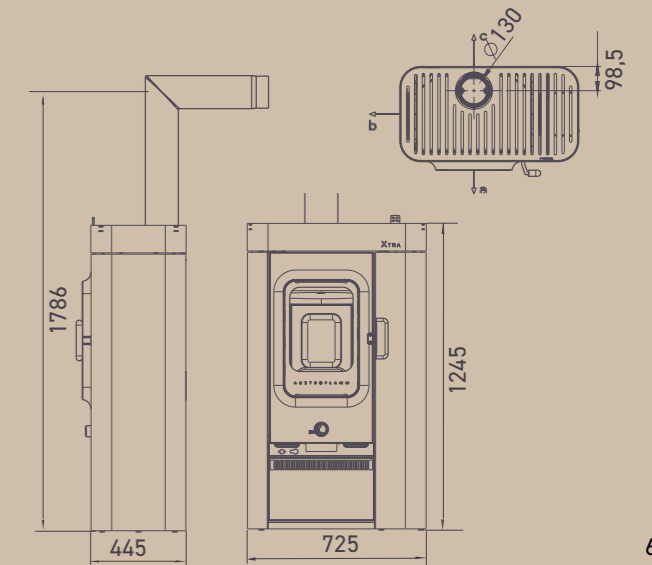
SINA XTRA - SENSIBLE ENERGY SAVER!

This elegant stove is also available in the Xtra version - more stored heat - more saving - more environmental protection.

This wood-saving environmentally friendly storage technology is integrated here in an Xtra-stylish way and provides even longer lasting warmth.



- optional Air+ system
- integrated wood storage compartment
- cast iron door with double glazing



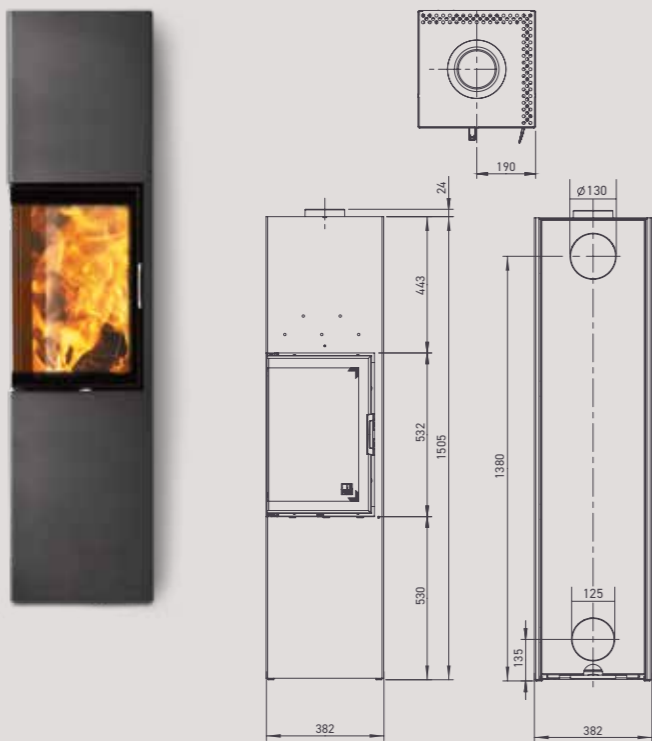
SINA
XTRA



SLIM
FOR A SLENDER LOOK

SLIM 2.0

On we go to the next level - Slim 2.0 has arrived! Tall, slender and equipped with a sophisticated door extending across the corner. The door can be hinged on the right or left. As a special bonus, this design piece can even be equipped with the Heat Memory System for heat storage. With its simple square shape, Slim 2.0 also fits easily into corners. And the side box is simply practical for storing wood where you need it.



Door handle and air regulator are satin chrome plated. The door locks automatically.



Slim 2.0 with optional side box, optional extension box and glass serving plate

SLIM
2.0

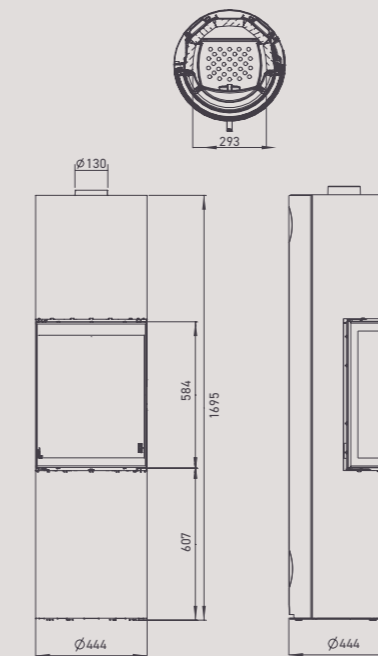




STILA

2.0

STILA FOR SWEET DREAMS



EXCITINGLY STYLISH

Dream or reality? A total height of 170 cm simply amazes everyone and sometimes even attracts unexpected admirers. With a diameter of only 44 cm, Stila does not take up much space in the room and will enchant you with its extremely elegant and slender appearance. The generous door glass displays the stunning flames in the best possible light and beautiful details, such as the handle embedded in the frame, make Stila an attractive highlight in the room from all angles.



The door glass curves endlessly and shows you a large expanse of fire.

TOWER XTRA
HEARTWARMING

TOWER XTRA 2.0

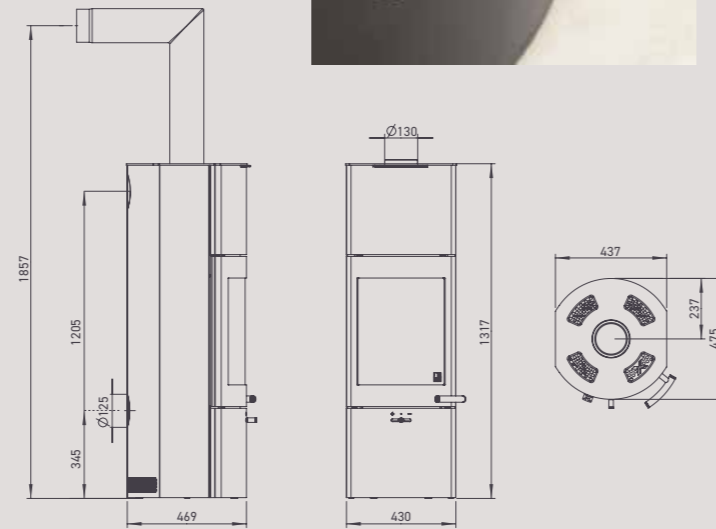
Retreat to the comfort of Tower Xtra 2.0 because the innovative Xtra heat storage technology provides you with up to 12 hours of pleasant warmth. So stoke up the fire in the evening and get up in the morning to find it still comfortably warm, and have breakfast. Its purist design makes Tower Xtra 2.0 an enduring classic and not just a companion for a few hours.



X for the Xtra technology finely crafted in stainless steel.



Innovative: the adjustable convection air ensures the heat dissipates evenly.



The door handle and the single-lever air regulator.

TOWER
XTRA 2.0



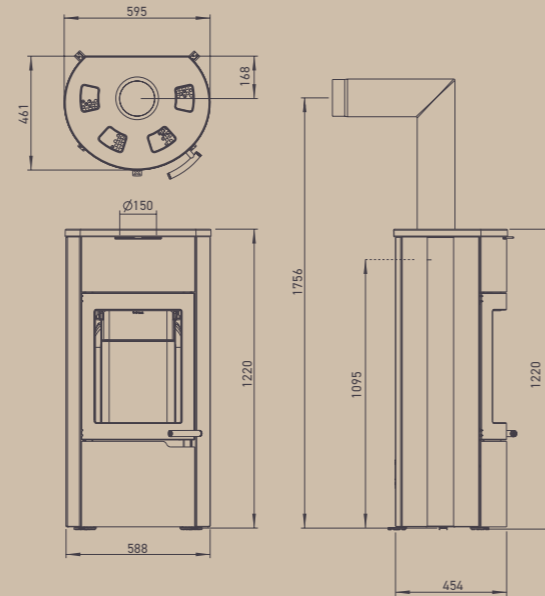
UNO XTRA
ONE LIKE NO OTHER



Uno Xtra with soapstone cladding and top plate, and adjustable convection air vents.



The ashes are disposed of the traditional way using a riddling grate and ash pan.



U N O
X T R A



UNO XTRA

A real giant when it comes to heat output because the Uno Xtra is equipped as standard with the exclusive Xtra heat storage system, which provides up to 12 hours of storage capacity. The Uno is also big in terms of design, regardless of whether in steel, soapstone case or ceramic case. Its soft curvatures simply flatter every room. Round, practical, good

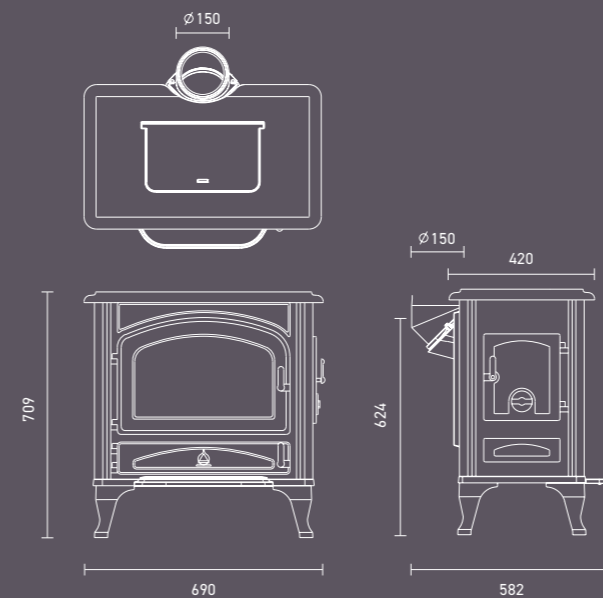


WIEN

HAVE YOU SEEN
VIENNA BY NIGHT

WIEN

The Renaissance of cast-iron. The oldest stove material can also be interpreted in a contemporary way: that's just typical of Austroflamm! And we've even included modern firing technology into the bargain.



The separate side door is particularly practical for adding long pieces of wood to the fire.



The ash pan is integrated into the front.

COLOURS / FINISHES

Our stoves are available in a truly extravagant range of ceramic, stone and steel claddings. Many ceramic colours allow you to tailor your stove to your individual home decor. Especially since the complete colour range (see above) is available for all ceramic parts - no matter which type of ceramic or stone stove you choose!

The different ceramic glazes are also remarkable: gloss or satin, in elaborate wipe technique or with a stony structure - the choice is yours!



DETAILS COLOURS / FINISHES



All ceramic glazes are the result of chemical reactions that cannot be influenced. For this reason, colour deviations are quite common and cannot be considered a flaw. Even fine hairline cracks (craquelure) are part of the natural appearance of all glazed ceramic surfaces. In this sense, each ceramic part is an appealingly unique piece.

Our natural stone cladding in soapstone is also a natural product that is made so unique precisely by small deviations in colour and structure. We have tried to reproduce the colour tones as true to the original as possible.

Should you nevertheless notice any discrepancies, then these are due to deviations in printing technology, and to the natural variations in colour of the ceramic glazes or of the steel claddings.

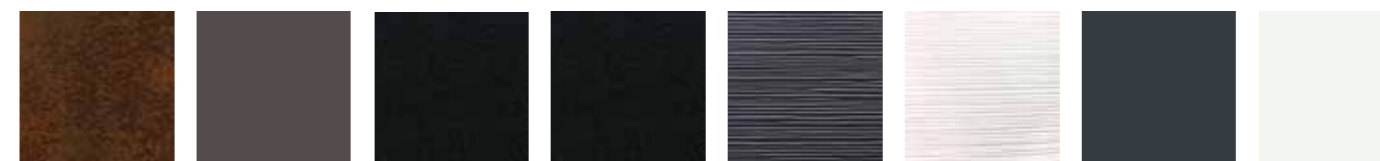
*The details are not the details,
they are the design.*

CERAMIC

*mit Reliefstruktur



enamel white smoky quartz sand hemp medium sandstone earth fire ruby red



ron corten [Sam] dark basalt black black satin matt black corrugated (FYNN Xtra) * namel white "groove" (FYNN XTRA) * dark anthracite (CODY) bright white (CODY)



glossy Moonstone corrugated (FYNN Xtra) * glossy Tourmaline corrugated (FYNN Xtra) *



STEIN



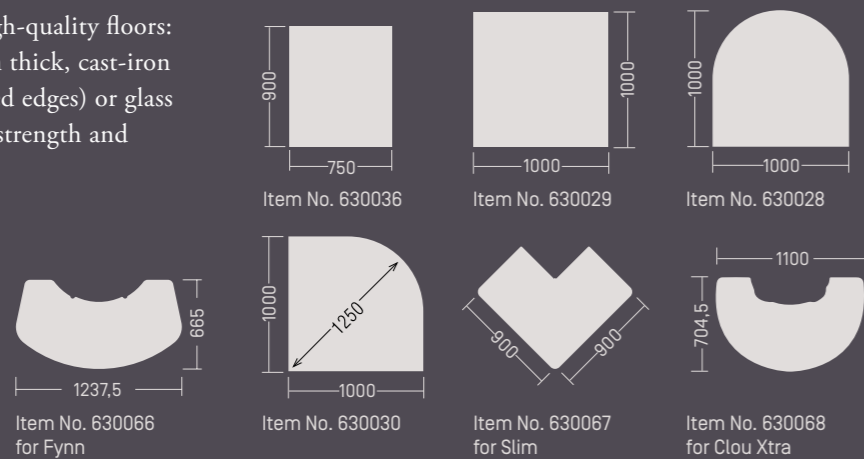
soapstone

FLUE PIPES / BASE PLATES

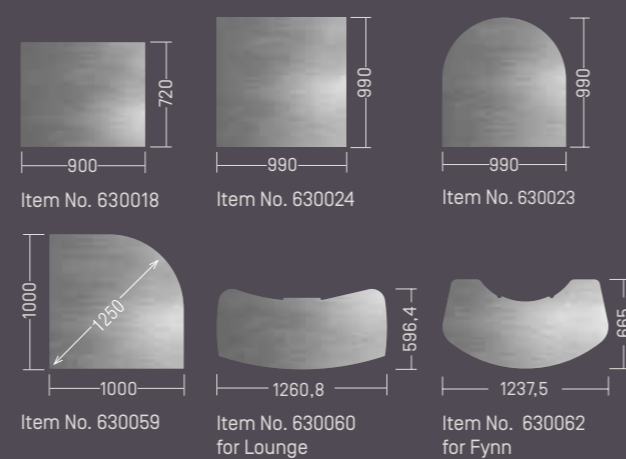
BASE PLATES

Useful accessories to protect your high-quality floors: Our floor plates made of steel (2 mm thick, cast-iron grey, powder-coated and with bevelled edges) or glass (6 mm thick, specially treated, high-strength and robust).

GLASS



STEEL



FLUE PIPES

Original Austroflamm flue pipes are made of 2 mm thick high-quality steel. Workmanship focuses on the visible area of application: precise welding seams and highly heat-resistant (up to 600 °C), colour-coordinated special paint. The flue pipes are drawn in at one end. Your specialist dealer will be happy to advise you on the optimum solution for you!

FLUE PIPE SET
consisting of angled pipe with cleaning door and throttle flap, double wall lining and wall rosette.

Item No.	∅	A	B	C
620025	120	500	60	625
620066	130	500	60	635
620067	150	500	60	655
620068	180	500	60	685

Specifications in mm

90°-ELBOWS
(1) Adjustable elbows with cleaning flap
(2) Fixed elbows with cleaning flap

Item No.	∅	A	B	C
620016	120	245	60	245
620073	130	250	60	250
620044	150	275	60	275
620049	180	295	60	295

Specifications in mm

ANGLED PIPE
with cleaning door; throttle flap which can be adjusted to 11 positions from 0° - 90° and locked

Item No.	∅	A	B	C
620011	120	500	60	625
620082	130	500	60	635
620032	150	500	60	655
620033	180	500	60	685

Specifications in mm

45°-ELBOWS
Fixed elbows with cleaning flap

Item No.	∅	A	B	C	D	E
620019	120	122	60	180	128	10
620076	130	130	60	180	120	10
620047	150	140	60	180	110	10
620052	180	146	60	180	104	10

Specifications in mm

WALL ROSETTE

Item No.	∅	A	B
620021	120	195	125
620080	130	195	135
620058	150	225	155
620060	180	285	185
620081	130	400	137
620059	150	400	157

Specifications in mm

FLUE PIPE
with adjustable and lockable throttle flap

Item No.	∅	A	B
620027	120	250	60
620078	130	250	60
620054	150	250	60
620055	180	250	60

Specifications in mm

DOUBLE WALL LINING
of 1 mm steel

Item No.	∅	A
620026	120	120
620084	130	120
620085	150	135
620086	180	135

Specifications in mm

FLUE PIPE

Item No.	∅	A	B
620012	120	250	60
620072	130	250	60
620034	150	250	60
620035	180	250	60
620013	120	500	60
620065	130	500	60
620036	150	500	60
620037	180	500	60
620014	120	1000	60
620069	130	1000	60
620038	150	1000	60
620041	180	1000	60

Specifications in mm

OUR MODELS

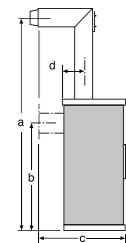
AT A GLANCE



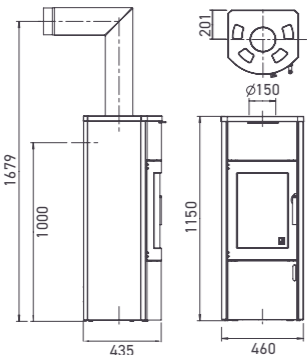
BONO XTRA CLOU XTRA CLOU COMPACT CLOU COMPACT COOK CLOU XTRA BACK CODY DEXTER 2.0 / S3 FYNN XTRA G1 HEIDI BACK 2.0 IVY 2.0 JINI XTRA KOKO 2.0 KOKO XTRA

KYLIE XTRA LOUNGE XTRA LUCY COOK LUX PALLAS PALLAS BACK FLOK 2.0 SINA SINA XTRA SLIM 2.0 STILA TOWER XTRA 2.0 UNO XTRA WIEN

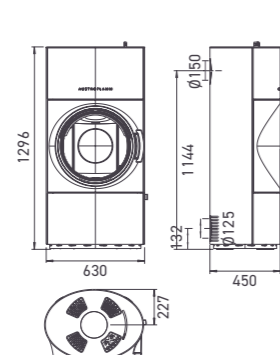
Dimensions a and c:
With original angled pipe



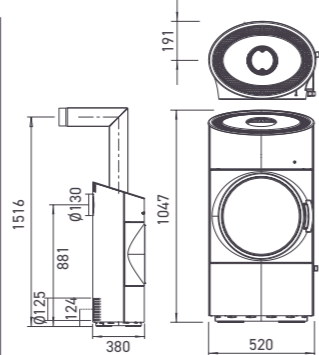
BONO XTRA



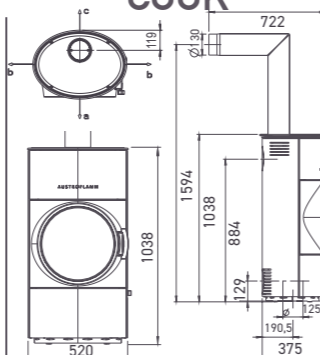
CLOU XTRA



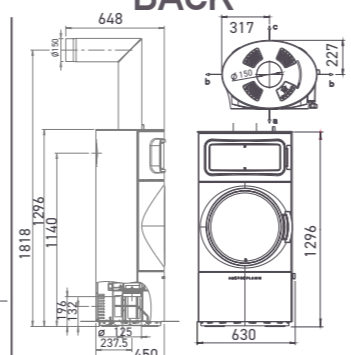
CLOU COMPACT



CLOU COMPACT COOK



CLOU XTRA BACK



DIMENSIONS AND WEIGHT

h x w x d	1150 x 460 x 435 mm	1296 x 630 x 450 mm	1047 x 520 x 380 mm	1038 x 520 x 375 mm	1296 x 630 x 450 mm
Firebox (h x w x d)	510 x 257 x 260 mm	389 x 432 x 245 mm	349 x 328 x 225 mm	358 x 328 x 212 mm	389 x 432 x 245 mm
Weight STM / KM / SPM	237 / - / - kg	273 / - / - kg	114 / - / - kg	120 / - / - kg	324 / - / - kg
Flue pipe outlet	ø 150 mm	ø 150 mm	ø 130 mm	ø 130 mm	ø 150 mm
Flue pipe outlet centre	1000 mm	1144 mm	880 mm	884 mm	1144 mm

OUTPUT

Nominal heat output as per EN 13240	5 kW	8 kW	6 kW	in Prüfung	8 kW
Min. / Max. heating capacity	2,5 / 7 kW	4 / 11 kW	3,5 / 8 kW	in Prüfung	4 / 11 kW
Energy efficiency class	A	A	A	in Prüfung	A
Room heating capacity (depending on the building insulation)	48 - 124 m ³	98 - 255 m ³	65 - 165 m ³	in Prüfung	98 - 255 m ³

FEATURES

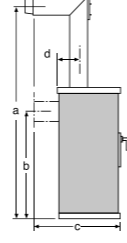
Xtra heat storage technology	XTRA* standard / 107 kg	XTRA* standard / 108 kg	XTRA* -	-	standard / 108 kg	XTRA* -
Heat Memory System	HMS*	-	-	-	-	-
Type 1	standard, self-locking door	standard, self-locking door	standard, self-locking door	-	-	standard
Cast-iron cover	standard	-	-	-	-	standard
Warming compartment (h x w x d)	-	-	-	-	-	-
Baking compartment (h x w x d)	-	-	-	-	standard, 445 x 175 x 255 mm	-
Hotplate (w x d) / diameter	-	-	-	standard	-	standard
KM ceramic cladding	-	-	-	-	-	-
STM steel cladding	standard	standard	standard	standard	standard	-
SPM soapstone cladding / cover	accessory	-	-	-	-	-
Flat bed firing	-	-	-	-	-	standard
Ash pan	standard	-	-	-	-	-
Ash box	-	standard	standard	standard	standard	-
Dimensions (as per drawing top left, with Austroflamm angled pipe)	a 1679 / b 1000 / c 610 / d 201 mm	a 1813 / b 1144 / c 598 / d 227 mm	a 1516 / b 880 / c 574 / d 189 mm	a 1594 / b 884 / c 722 / d 119 mm	a 1813 / b 1144 / c 598 / d 227 mm	a 1237 / b 565 / c 822 / d 154 mm
External air connection / operation independent of room air	rear or bottom	rear or bottom	rear or bottom	rear or bottom	rear or bottom	-

DATA FOR THE CHIMNEY SWEEP

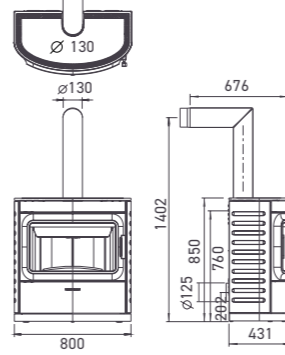
Exhaust gas mass flow	4,2 g/s	6,6 g/s	5,43 g/s	Values under review, as soon as available, retrievable at www.austroflamm.com	Values under review, as soon as available, retrievable at www.austroflamm.com
Exhaust gas temperature	322 °C	357 °C	322 °C	-	-
Minimum discharge pressure at nominal heat output	12 Pa	12 Pa	13 Pa	-	-
At 0.8 times nominal heat output	10 Pa	10 Pa	10 Pa	-	-
Safety distances a/b/c in mm *	900/270/160	1100/420/200	1000/250/150	-	-

*a = front, b = side, c = rear. Applies only to components made of combustible construction materials with a thermal resistance ≤ 1,2 m² k/W

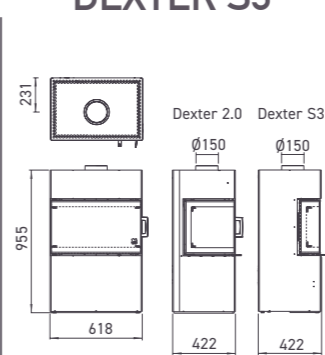
Dimensions a and c:
With original angled pipe



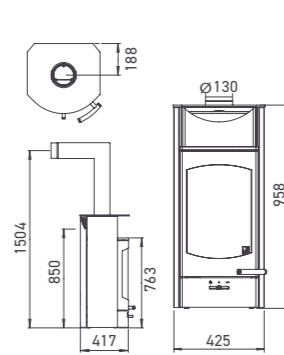
CODY



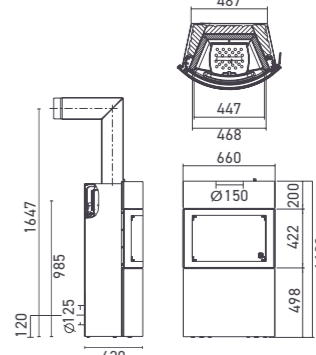
DEXTER 2.0/ DEXTER S3



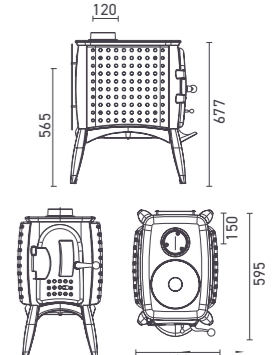
FLOK 2.0



FYNN XTRA



G1



DIMENSIONS AND WEIGHT

h x w x d	850 x 800 x 431 mm	955 x 618 x 422 mm	958 x 425 x 417 mm	1120 x 660 x 420 mm	677 x 400 x 595 mm (Guss)
Firebox (h x w x d)	324 x 514 x 244 mm	390/360 x 480/430 x 240/230 mm	379 x 282 x 248 mm	438 x 447 x 233 mm	300 x 220 x 400 mm
Weight STM / KM / SPM	195 / 205 / - kg	145 / 165 / - kg	110 / - / 149 kg	231 / - / - kg	85 / - / - kg
Flue pipe outlet	ø 130 mm	ø 150 mm	ø 130 mm	ø 150 mm	ø 120 mm
Flue pipe outlet centre	760 mm	860 mm	850 mm	985 mm	565 mm

OUTPUT

Nominal heat output as per EN 13240	8 kW	6 kW	4 kW	6 kW	6 kW
Min. / Max. heating capacity	3,5 / 9 kW	3,5 / 8 kW	2,5 / 6 kW	3,5 / 8 kW	3,5 / 8 kW
Energy efficiency class	A +	A	A +	A +	A
Room heating capacity (depending on the building insulation)	82 - 210 m ³	65 - 165 m ³	34 - 88 m ³	65 - 165 m ³	65 - 165 m ³

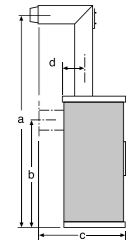
FEATURES

Xtra heat storage technology	XTRA* -	-	-	standard / 105 kg	XTRA* -
Heat Memory System	HMS* accessory / 59 kg	HMS* accessory / 45 kg	HMS* accessory / 77 kg	HMS*	-
Type 1	standard, self-locking door	standard, self-locking door	standard, self-locking door	standard, self-locking door	standard
Cast-iron cover	-	-	-	-	standard
Warming compartment (h x w x d)	-	-	340 x 180 mm, Keramik, Speckstein	-	-
Baking compartment (h x w x d)	-	-	-	-	-
Hotplate (w x d) / diameter	-	-	-	-	standard
KM ceramic cladding	accessory	-	-	accessory	-
STM steel cladding	standard	standard	standard	standard	-
SPM soapstone cladding / cover	-	-	accessory	-	-
Flat bed firing	-	-	-	-	standard
Ash pan	-	-	-	-	-
Ash box	standard	standard	standard	standard	-
Dimensions (as per drawing top left, with Austroflamm angled pipe)	a 1402 / b 760 / c 676 / d 97 mm	a 1521 / b 860 / c 604 / d 231 mm	a 1504 / b 850 / c 605 / d 188 mm	a 1647 / b 985 / c 582 / d 200 mm	a 1237 / b 565 / c 822 / d 154 mm
External air connection / operation independent of room air	rear	rear or bottom	rear	rear or bottom	-

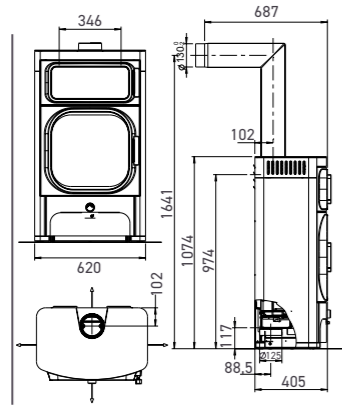
DATA FOR THE CHIMNEY SWEEP

Exhaust gas mass flow	7,8 g/s	6 / 6,41 g/s	3,92 g/s	5 g/s	5,2 g/s
Exhaust gas temperature	296 °C	326 / 302 °C	343 °C	350 °C	330 °C
Minimum discharge pressure at nominal heat output	12 Pa	12 / 11 Pa	12 Pa	12 Pa	12 Pa
At 0.8 times nominal heat output	10 Pa	10 / 8 Pa	10 Pa	10 Pa	10 Pa
Safety distances a/b/c in mm *	800/200/120	1200/800 or 300/100, 1100/600/150	800/150/100	950/330/230	800/700/400

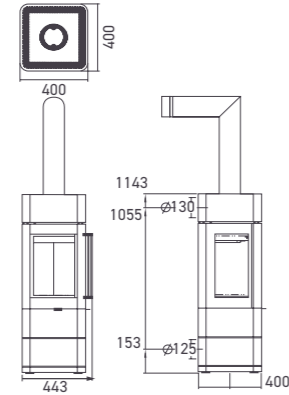
Dimensions a and c:
With original angled pipe



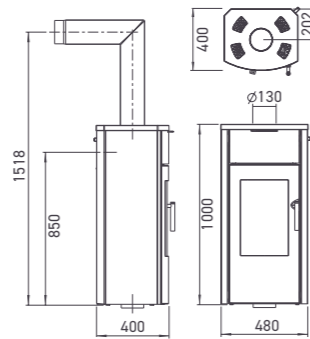
HEIDI BACK 2.0



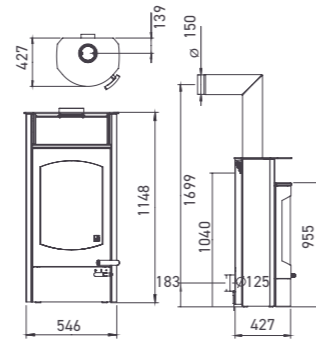
IVY



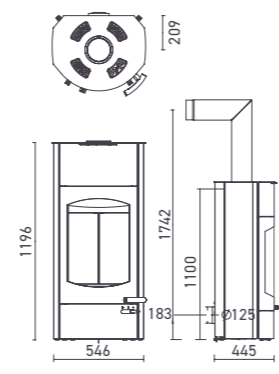
JINI XTRA



KOKO 2.0



KOKO XTRA 2.0



DIMENSIONS AND WEIGHT

h x w x d	1066 x 620 x 405 mm	1143 x 400 x 400 mm	1000 x 480 x 400 mm	1148 x 546 x 427 mm	1196 x 546 x 445 mm
Firebox (h x w x d)	355 x 418 x 270 mm	439 x 267 x 228 mm	379 x 282 x 224 mm	490 x 388 x 267 mm	490 x 388 x 267 mm
Weight STM / KM / SPM	173 / - / - kg	125 / - / - kg	226 / - / - kg	152 / - / 177 kg	253 / - / - kg
Flue pipe outlet	ø 130 mm	ø 130 mm	ø 130 mm	ø 150 mm	ø 150 mm
Flue pipe outlet centre	974 mm	1055 mm	850 mm	1040 mm	1100 mm

OUTPUT

Nominal heat output as per EN 13240	7 kW	5 kW	4 kW	6 kW	6 kW
Min. / Max. heating capacity	3,5 / 9 kW	2,5 / 7,0 kW	2,5 / 6 kW	3,5 / 8 kW	3,5 / 8 kW
Energy efficiency class	A +	A +	A +	A	A
Room heating capacity (depending on the building insulation)	82 - 210 m³	48 - 124 m³	34 - 88 m³	65 - 165 m³	65 - 165 m³

FEATURES

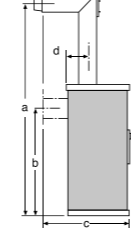
Xtra heat storage technology	XTRA*	-	-	standard / 101 kg	XTRA*	-	standard / 115 kg	XTRA*
Heat Memory System	HMS*	accessory / 66 kg	HMS*	accessory / 35 kg	HMS*	accessory / 77 kg	HMS*	accessory / 38 kg
Type 1		standard, self-locking door		standard, self-locking door		standard, self-locking door		standard, self-locking door
Cast-iron cover		-		standard		-		standard
Warming compartment (h x w x d)		-		-		425 x 220 mm, ceramic, soapstone		-
Baking compartment (h x w x d)		178 x 418 x 302 mm		-		-		-
Hotplate (w x d) / diameter		-		-		-		standard, 460 x 460 mm
KM ceramic cladding		-		-		-		accessory
STM steel cladding		standard		standard		standard		standard
SPM soapstone cladding / cover		-		-		accessory		-
Flat bed firing		-		-		-		standard
Ash pan		-		standard		-		-
Ash box		standard		standard		standard		standard
Dimensions (as per drawing top left, with Austroflamm angled pipe)		a 1641 / b 974 / c 687 / d 102 mm		a 1699 / b 1055 / c 583 / d 200 mm		a 1518 / b 850 / c 583 / d 202 mm		a 1755 / b 1100 / c 605 / d 209 mm
External air connection / operation independent of room air		rear or bottom		rear or bottom		bottom		rear

DATA FOR THE CHIMNEY SWEEP

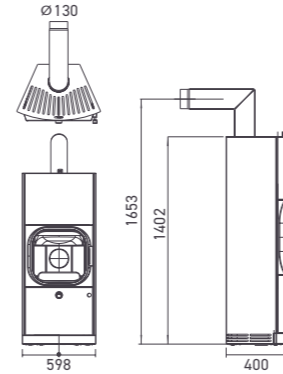
Exhaust gas mass flow	6,41 g/s	4,2 g/s	3,9 g/s	4,4 g/s	4,4 g/s
Exhaust gas temperature	262 °C	263 °C	343 °C	331 °C	297 °C
Minimum discharge pressure at nominal heat output	10 Pa	12 Pa	12 Pa	12 Pa	12 Pa
At 0.8 times nominal heat output	8 Pa	10 Pa	10 Pa	10 Pa	10 Pa
Safety distances a/b/c in mm *	1300/200/200	1000/750/200	1000/270/160	1200/540/180	1200/540/180

*a = front, b = side, c = rear. Applies only to components made of combustible construction materials with a thermal resistance $\leq 1,2 \text{ m}^2 \text{ k/W}$

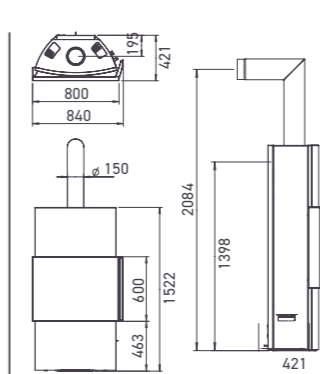
Dimensions a and c:
With original angled pipe



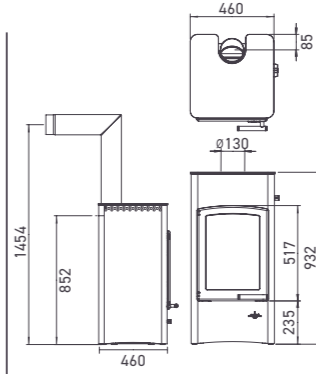
KYLIE XTRA



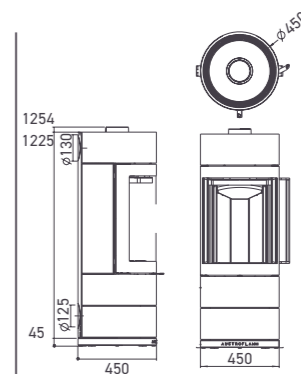
LOUNGE XTRA



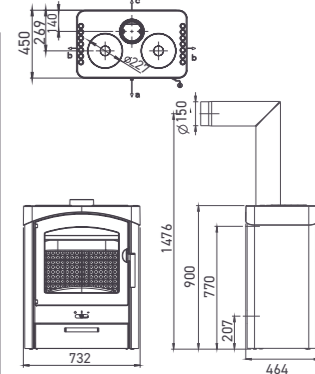
LUCY COOK



LUX



PALLAS



DIMENSIONS AND WEIGHT

h x w x d	1402 x 598 x 400 mm	1519 x 840 x 421 mm	932 x 460 x 460 mm	1225 x 450 x 450 mm	900 x 732 x 464 mm
Firebox (h x w x d)	376 x 414 x 270 mm	445 x 600 x 260 mm	471 x 302 x 239 mm	525 x 291 x 291 mm	350 x 520 x 225 mm
Weight STM / KM / SPM	270 / - / - kg	338 Xtra / - / - kg	150 / - / - kg	133 / - / - kg	170 / 205 / 265 kg
Flue pipe outlet	ø 130 mm	ø 150 mm	ø 130 mm	ø 130 mm	ø 150 mm
Flue pipe outlet centre	1004 mm	1395 mm	852 mm	1133 mm	770 mm

OUTPUT

Nominal heat output as per EN 13240	6 kW	8 kW	6 kW	7 kW	9 kW
Min. / Max. heating capacity	3,5 / 8 kW	4 / 11 kW	3,5 / 8 kW	3,5 / 9 kW	4,5 / 13 kW
Energy efficiency class	A +	A	A +	A +	A
Room heating capacity (depending on the building insulation)	65 - 165 m³	98 - 255 m³	65 - 165 m³	82 - 210 m³	114 - 305 m³

FEATURES

Xtra heat storage technology	XTRA*	standard / 135 kg	XTRA*	standard / 138 kg	XTRA*	-	-	-
Heat Memory System	HMS*	-	HMS*	-	HMS*	accessory / 38 kg	HMS*	accessory / 114 kg
Type 1		standard, self-locking door		standard, self-locking door		standard, self-locking door		standard, self-locking door
Cast-iron cover		-		-		-		standard
Warming compartment (h x w x d)		-		-		-		-
Baking compartment (h x w x d)		-		-		-		-
Hotplate (w x d) / diameter		-		-		standard, 460 x 460 mm		standard
KM ceramic cladding		-		-		-		accessory
STM steel cladding		standard		standard		standard		standard
SPM soapstone cladding / cover		-		-		-		-
Flat bed firing		-		-		-		standard
Ash pan		-		-		-		-
Ash box		standard		standard		standard		standard
Dimensions (as per drawing top left, with Austroflamm angled pipe)		a 1654 / b 1004 / c 658 / d 125 mm		a 2066 / b 1395 / c 599 / d 195 mm		a 1454 / b 852 / c 741 / d 85 mm		a 1782 / b 1133 / c 608 / d 225 mm
External air connection / operation independent of room air		rear or bottom		rear or bottom		rear		rear

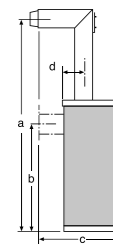
DATA FOR THE CHIMNEY SWEEP

Exhaust gas mass flow	4,67 g/s	6,5 g/s	4,9 g/s	6,1 g/s	9,2 g/s
Exhaust gas temperature	297 °C	330 °C	290 °C	273 °C	310 °C
Minimum discharge pressure at nominal heat output	10 Pa	12 Pa	12 Pa	12 Pa	12 Pa
At 0.8 times nominal heat output	8 Pa	10 Pa	10 Pa	10 Pa	10 Pa
Safety distances a/b/c in mm *	1200/200/200	800/50/50	800/100/100	1000/590/100	800/200/200

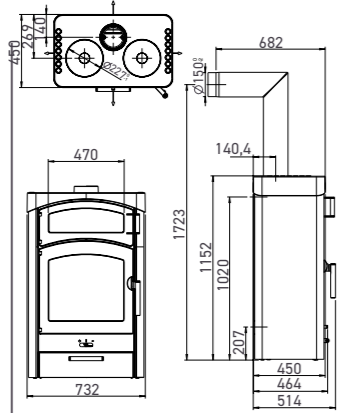
NEW

NEW

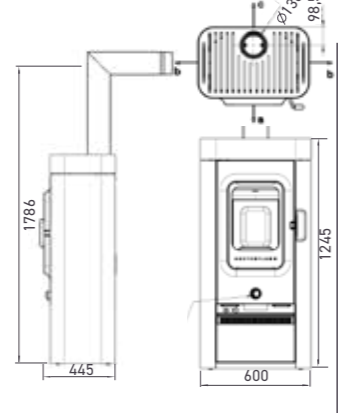
Dimensions a and c:
With original angled pipe



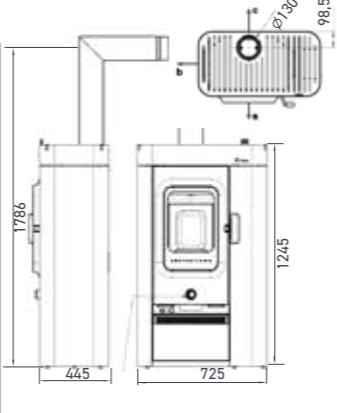
PALLAS BACK



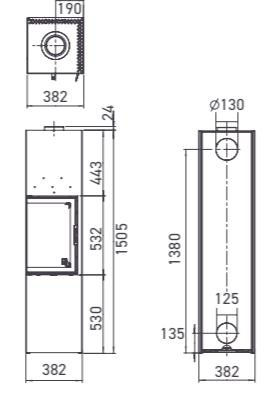
SINA



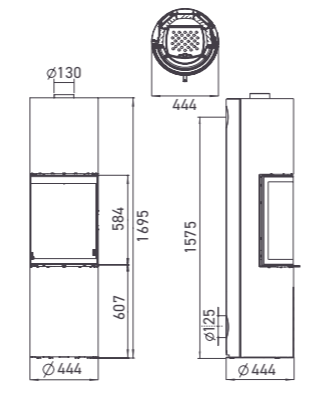
SINA XTRA



SLIM 2.0



STILA



DIMENSIONS AND WEIGHT

h x w x d	1152 x 732 x 464 mm	1245 x 600 x 445 mm	1245 x 725 x 445 mm	1505 x 382 x 382 mm	1695 x 444 x 444 mm
Firebox (h x w x d)	350 x 520 x 225 mm	371 x 396 x 267,4 mm	371 x 396 x 267,4 mm	550 x 262 x 252 mm	558 x 291 x 291 mm
Weight STM / KM / SPM	207 / 225 / 325 kg	137 / - / - kg	323 / - / - kg	140 / - / - kg	140 / - / - kg
Flue pipe outlet	ø 150 mm	ø 130 mm	ø 130 mm	ø 130 mm	ø 130 mm
Flue pipe outlet centre	1020 mm	1135 mm	1135 mm	1380 mm	1575 mm

OUTPUT

Nominal heat output as per EN 13240	9 kW	6 kW	6 kW	5 kW	5 kW
Min. / Max. heating capacity	4,5 / 13 kW	3,5 / 8,0 kW	3,5 / 8,0 kW	3 / 7 kW	2,5 / 7 kW
Energy efficiency class	A	A+	A+	A+	A+
Room heating capacity (depending on the building insulation)	114 - 305 m³	65 - 165 m³	65 - 165 m³	48 - 124 m³	48 - 124 m³

FEATURES

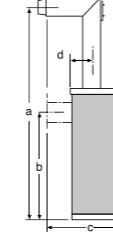
Xtra heat storage technology	XTRA* -	-	standard / 148 kg	XTRA* -	-
Heat Memory System	HMS* accessory / 114 kg	HMS* accessory / 68 kg	-	HMS* accessory / 60 kg	HMS* accessory / 40 kg
Type 1	standard	standard, self-locking door	standard, self-locking door	standard, self-locking door	standard, self-locking door
Cast-iron cover	standard	standard	standard	-	-
Warming compartment (h x w x d)	standard	-	-	-	-
Baking compartment (h x w x d)	176 x 395 x 292 mm	-	-	-	-
Hotplate (w x d) / diameter	-	-	-	-	-
KM ceramic cladding	accessory	-	-	-	-
STM steel cladding	standard	standard	standard	standard	standard
SPM soapstone cladding / cover	-	-	-	-	-
Flat bed firing	standard	-	-	-	-
Ash pan	-	-	-	-	-
Ash box	accessory	standard	standard	standard	standard
Dimensions (as per drawing top left, with Austroflamm angled pipe)	a 1723 / b 1020 / c 663 / d 140 mm	a 1786 / b 1135 / c 678 / d 98,5	a 1786 / b 1135 / c 678 / d 98,5	a 2060 / b 1380 / c 562 / d 190 mm	a 2257 / b 1575 / c 605 / d 222 mm
External air connection / operation independent of room air	rear	rear or bottom	rear or bottom	rear or bottom	rear or bottom

DATA FOR THE CHIMNEY SWEEP

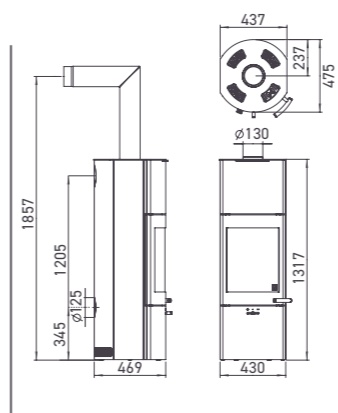
Exhaust gas mass flow	9,2 g/s	4,4 g/s	4,4 g/s	5,8 g/s	4,1 g/s
Exhaust gas temperature	310 °C	271 °C	271 °C	237 °C	311 °C
Minimum discharge pressure at nominal heat output	12 Pa	12 Pa	12 Pa	12 Pa	12 Pa
At 0.8 times nominal heat output	10 Pa	10 Pa	10 Pa	10 Pa	10 Pa
Safety distances a/b/c in mm *	800/200/200	1000/250/150	1000/50/150	900/230/230	wall 1000/610/120, corner 800/120/-/700

*a = front, b = side, c = rear. Applies only to components made of combustible construction materials with a thermal resistance < 1,2 m2 k/W

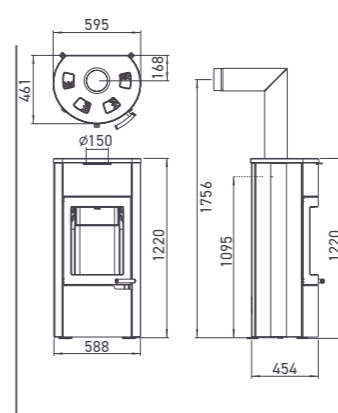
Dimensions a and c:
With original angled pipe



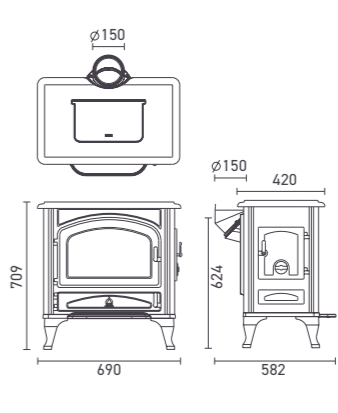
TOWER XTRA 2.0



UNO XTRA



WIEN



DIMENSIONS AND WEIGHT

h x w x d	1317 x 430 x 469 mm	1220 x 588 x 454 mm	709 x 690 x 586 mm (cast)
Firebox (h x w x d)	379 x 282 x 248 mm	497 x 363 x 275 mm	315 x 510 x 250 mm
Weight STM / KM / SPM	263 / - / - kg	252 / 283 / 312 kg	160 / - / - kg
Flue pipe outlet	ø 130 mm	ø 130 mm	ø 150 mm
Flue pipe outlet centre	1205 mm	1095 mm	624 mm

OUTPUT

Nominal heat output as per EN 13240	4 kW	7 kW	6 kW
Min. / Max. heating capacity	2,5 / 6 kW	3,5 / 9 kW	4 / 9 kW
Energy efficiency class	A+	A	A
Room heating capacity (depending on the building insulation)	34 - 88 m³	82 - 210 m³	65 - 165 m³

FEATURES

Xtra heat storage technology	XTRA* standard / 130 kg	XTRA* serienmäßig / 116 kg	XTRA* -
Heat Memory System	HMS* -	-	-
Type 1	standard, self-locking door	standard, self-locking door	-
Cast-iron cover	-	standard	standard
Warming compartment (h x w x d)	-	-	-
Baking compartment (h x w x d)	-	-	-
Hotplate (w x d) / diameter	-	-	-
KM ceramic cladding	-	accessory	-
STM steel cladding	standard	standard	standard
SPM soapstone cladding / cover	-	accessory	-
Flat bed firing	-	-	-
Ash pan	-	standard	standard
Ash box	standard	-	-
Dimensions (as per drawing top left, with Austroflamm angled pipe)	a 1857 / b 1205 / c 605 / d 237 mm	a 1756 / b 1095 / c 651 / d 168 mm	a 1277 / b 667 / c 870 / d 33 mm
External air connection / operation independent of room air	rear or bottom	rear	-

DATA FOR THE CHIMNEY SWEEP

Exhaust gas mass flow	3,92 g/s	6,5 g/s	6,1 g/s
Exhaust gas temperature	343 °C	300 °C	314 °C
Minimum discharge pressure at nominal heat output	12 Pa	12 Pa	11 Pa
At 0.8 times nominal heat output	10 Pa	10 Pa	9 Pa
Safety distances a/b/c in mm *	1100/400/130	800/130/150	1200/550 bzw. 650 Side door / 500 or 200 with radiation protection plate



Heating up
WITH TASTE!



Notes

THIS IS WHAT
Winners
LOOK LIKE!



WE ARE THE CHAMPIONS.

As we put our heart and soul into manufacturing stoves, we are particularly delighted to receive this award! Innovative Austrian quality from a family-run business really pays off! Our customers have shown how much they appreciate this by giving us such wonderful feedback! You can find our award-winning quality stoves at www.austroflamm.com



www.austroflamm.com



Austroflamm stoves are sold worldwide via specialist retailers. Visit our homepage for more information.

AUSTROFLAMM GmbH, Austroflamm-Platz 1, A-4631 Krenglbach, T: +43 7249 46443-0, info@austroflamm.com